

技术参数 Specifications

型号 Model	额定扭矩 Rated Torque (N.m)	最大扭矩 Max. Torque (N.m)	最高转速 Max. Rotational Frequency (rpm)	惯性力矩 Moment of Inertia (kg · m ²)	静态扭矩刚性 Static Torsional Stiffness (N.m / rad)	径向偏差 Errors of Eccentricity (mm)	角向偏差 Errors of Angularity (°)	轴向偏差 Errors of Shaft End-play (mm)	重量 Mass (g)
LK14-40-□□□□	13	26	8000	9X10 ⁻⁵	1.5X10 ⁴	0.15	2	1.0	210
LK14-55-□□□□	28	56	6000	2.9X10 ⁻⁴	3.5X10 ⁴	0.2	2	1.5	400
LK14-65-□□□□	56	112	5000	4.6X10 ⁻⁴	6.8X10 ⁴	0.25	2	1.5	790
LK14-82-□□□□	120	240	4500	1.1X10 ⁻³	1.2X10 ⁵	0.28	2	1.5	1210

说明：惯性力矩和重量按最大孔径计算。
Moment of inertia and mass figures based on the maximum shaft bores

LK15 系列 I. 单节胀套膜片联轴器

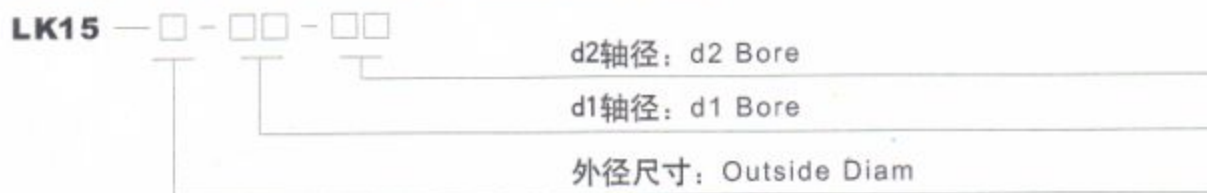
LK15 Series I. Locking Assemblies Coupling (Single Plate Springs)

特点 Features

- 利用胀套联接的膜片型联轴器
- 零回转间隙，拆装方便
- 高灵敏度，传递力矩大
- 顺时针与逆时针回转特性完全相同
- 不锈钢膜片补偿角向和轴向偏差
- 常用于伺服电机、步进电机联接
- Using locking assemblies connect, plate springs coupling
- Zero backlash
- Excellent response and high torque capacity
- Identical clockwise and anticlockwise rotational characteristics
- Stainless steel plate springs absorb angular misalignment and shaft end-play
- For servomotor, stepmotor connect



选型举例：Ordering Information

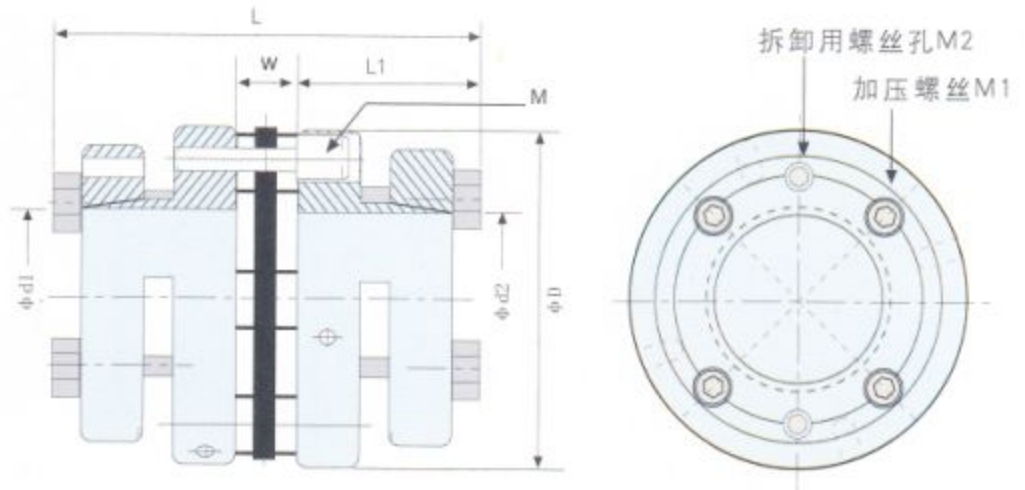


例: LK15-80-1420

LK15: 系列号, 材料为铁合金
 80: 外径尺寸: 80mm
 14: d1轴径为: 14mm
 20: d2轴径为: 20mm

Example: LK15-80-1420

LK15: Series NO, Material :Steel
 80: Outside Diam: 80mm
 14:d1 Bore :14mm
 20:d2 Bore :20mm



外型尺寸 Dimensions

单位 (unit): mm

型号 Model	Ød1 Ød2 轴 径 Bore	ØD	L	L1	W	M	M1	M2
LK15-56-□□□□	14 16 18 19 20 22 24	56	65	29	7.0	M5	4-M5	2-M5
LK15-70-□□□□	24 25 28 30 32 35	70	65	29	7.0	M6	4-M6	2-M6
LK15-70L-□□□□	18 19 20 22 24 25 28 30 32 35	70	90	41.5	7.0	M6	4-M6	2-M6
LK15-80-□□□□	18 19 20 22 24 25 28 30 32 35	80	70	31	8.0	M8	4-M6	2-M6
LK15-80L-□□□□	18 19 20 22 24 25 28 30 32 35	80	95	43.5	8.0	M8	4-M6	2-M6
LK15-90-□□□□	28 30 32 35 38 40 42 45 48	90	70	31	8.0	M8	6-M6	3-M6
LK15-90L-□□□□	28 30 32 35 38 40 42 45 48	90	110	50.5	9.0	M8	6-M6	3-M6
LK15-100-□□□□	32 35 38 40 42 45 48 50 52 55 60	100	70	31	8.0	M8	6-M6	3-M6
LK15-100L-□□□□	32 35 38 40 42 45 48 50 52 55 60	100	124	57.0	10.0	M8	6-M6	3-M6
LK15-126-□□□□	38 40 42 45 48 50 52 55 60 62 65	126	82	35.5	11.0	M10	6-M6	3-M6
LK15-126L-□□□□	38 40 42 45 48 50 52 55 60 62 65	126	152	70.5	11.0	M10	6-M6	3-M6
LK15-144-□□□□	45 48 50 52 55 60 62 65 70 75	144	96	42	12.0	M12	6-M8	3-M8
LK15-144L-□□□□	45 48 50 52 55 60 62 65 70 75	144	170	79.0	12.0	M12	6-M8	3-M8

技术参数 Specifications

型号 Model	额定扭矩 Rated Torque (N.m)	最大扭矩 Max. Torque (N.m)	最高转速 Max. Rotational Frequency (rpm)	惯性力矩 Moment of Inertia (kg · m ²)	静态扭矩刚性 Static Torsional Stiffness (N.m/ rad)	径向偏差 Errors of Eccentricity (mm)	角向偏差 Errors of Angularity (°C)	轴向偏差 Errors of Shaft End-play (mm)	重量 Mass (g)
LK15-56-□□□□	50	100	18000	0.42X10 ⁻³	41X10 ³	0.02	0.5	±0.5	680
LK15-70-□□□□	70	140	17000	0.65X10 ⁻³	58X10 ³	0.02	0.5	±0.5	950
LK15-70L-□□□□	70	140	17000	0.75X10 ⁻³	67X10 ³	0.02	0.5	±0.5	1026
LK15-80-□□□□	125	250	16000	1.0X10 ⁻³	62X10 ³	0.02	0.5	±0.5	1240
LK15-80L-□□□□	125	250	16000	1.15X10 ⁻³	71X10 ³	0.02	0.5	±0.5	1340
LK15-90-□□□□	180	360	14000	2.0X10 ⁻³	140X10 ³	0.02	0.5	±0.5	1650
LK15-90L-□□□□	180	360	14000	2.3X10 ⁻³	160X10 ³	0.02	0.5	±0.5	1782
LK15-100-□□□□	280	560	12000	2.95X10 ⁻³	160X10 ³	0.02	0.5	±0.5	1800
LK15-100L-□□□□	280	560	12000	3.39X10 ⁻³	184X10 ³	0.02	0.5	±0.5	1945
LK15-126-□□□□	450	900	10000	6.35 X10 ⁻³	450X10 ³	0.02	0.5	±0.5	3300
LK15-126L-□□□□	450	900	10000	7.3X10 ⁻³	517X10 ³	0.02	0.5	±0.5	3960
LK15-144-□□□□	760	1520	8000	11.33X10 ⁻³	785X10 ³	0.02	0.5	±0.5	4500
LK15-144L-□□□□	760	1520	8000	13X10 ⁻³	902X10 ³	0.02	0.5	±0.5	5400

说明：惯性力矩和重量按最大孔径计算。

Moment of inertia and mass figures based on the maximum shaft bores

LK15 系列 II. 多节胀套膜片联轴器

LK15 Series II. Locking Assemblies Coupling
(Double Plate Springs)

特点 Features

- 利用胀套联接的膜片型联轴器
- 零回转间隙，拆装方便
- 高灵敏度，传递力矩大
- 顺时针与逆时针回转特性完全相同
- 不锈钢膜片补偿径向、角向和轴向偏差
- 常用于伺服电机、步进电机联接
- Using locking assemblies connect , plate springs coupling
- Zero backlash
- Excellent response and high torque capacity
- Identical clockwise and anticlockwise rotational characteristics
- Stainless steel plate springs absorb parallel, angular misalignments and shaft end-play
- For servomotor, stepmotor connect



主体：铁合金材料
Body: Steel

LK15-56-WP—LK15-144-WP



主体：铁合金材料
Body: Steel

LK15-70L-WP—LK15-144L-WP

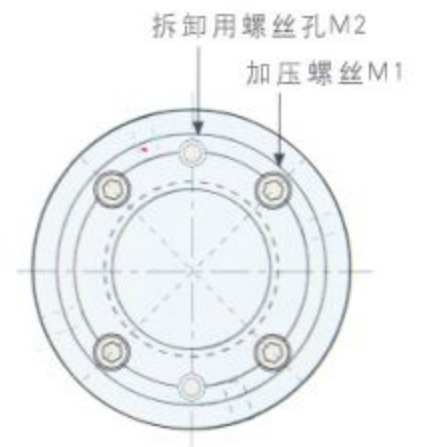
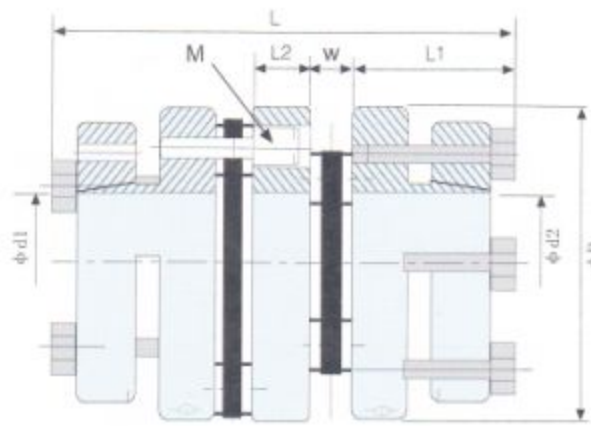
选型举例：Ordering Information



例：LK15-80-1920WP

LK15: 系列号, 材料为铁合金
 80: 外径尺寸: 80mm
 19: d1轴径为: 19mm
 20: d2轴径为: 20mm

Example: LK15-80-1920WP
 LK15: Series NO, Material :Steel
 80: Outside Diam: 80mm
 19:d1 Bore :19mm
 20:d2 Bore :20mm



外型尺寸 Dimensions

单位 (unit): mm

型号 Model	Ød1 Ød2 轴径 Bore	ØD	L	L1	L2	W	M	M1	M2
LK15-56-□□□□ WP	14 16 18 19 20 22 24	56	80	29	8	7.0	M5	4-M5	2-M5
LK15-70-□□□□ WP	18 19 20 22 24 25 28 30 32 35	70	80	29	8	7.0	M6	4-M6	2-M6
LK15-70L-□□□□ WP	18 19 20 22 24 25 28 30 32 35	70	105	41.5	8	7.0	M6	4-M6	2-M6
LK15-80-□□□□ WP	22 24 25 28 30 32 35	80	88	31	10	8.0	M8	4-M6	2-M6
LK15-80L-□□□□ WP	22 24 25 28 30 32 35	80	113	43.5	10	8.0	M8	4-M6	2-M6
LK15-90-□□□□ WP	28 30 32 35 38 40 42 45 48	90	88	31	10	8.0	M8	6-M6	3-M6
LK15-90L-□□□□ WP	28 30 32 35 38 40 42 45 48	90	129	50.5	10	9.0	M8	6-M6	3-M6
LK15-100-□□□□ WP	32 35 38 40 42 45 48 50 52 55 60	100	88	31	10	8.0	M8	6-M6	3-M6
LK15-100L-□□□□ WP	32 35 38 40 42 45 48 50 52 55 60	100	144	57.0	10	10.0	M8	6-M6	3-M6

外型尺寸 Dimensions

单位 (unit): mm

型号 Model	Ød1 Ød2 轴 径 Bore	ØD	L	L1	L2	W	M	M1	M2
LK15-126-□□□□ WP	38 40 42 45 48 50 52 55 60 62 65	126	107	35.5	14	11.0	M10	6-M6	3-M6
LK15-126L-□□□□ WP	38 40 42 45 48 50 52 55 60 62 65	126	177	70.5	14	11.0	M10	6-M6	3-M6
LK15-144-□□□□ WP	45 48 50 52 55 60 62 65 70 75	144	122	42	14	12.0	M12	6-M8	3-M8
LK15-144L-□□□□ WP	45 48 50 52 55 60 62 65 70 75	144	196	79.0	14	12.0	M12	6-M8	3-M8

技术参数 Specifications

型号 Model	额定扭矩 Rated Torque (N.m)	最大扭矩 Max. Torque (N.m)	最高转速 Max. Rotational Frequency (rpm)	惯性力矩 Moment of Inertia (kg · m ²)	静态扭矩刚性 Static Torsional Stiffness (N.m / rad)	径向偏差 Errors of Eccentricity (mm)	角向偏差 Errors of Angularity (°)	轴向偏差 Errors of Shaft End-play (mm)	重量 Mass (g)
LK15-56-□□□□ WP	50	100	15000	0.61X10 ⁻³	22X10 ³	0.02	1	±1.0	780
LK15-70-□□□□ WP	70	140	13000	0.81X10 ⁻³	30X10 ³	0.02	1	±1.0	1150
LK15-70L-□□□□ WP	70	140	13000	0.93X10 ⁻³	34X10 ³	0.02	1	±1.0	1242
LK15-80-□□□□ WP	125	250	11000	1.32X10 ⁻³	32X10 ³	0.03	1	±1.0	1580
LK15-80L-□□□□ WP	125	250	11000	1.52X10 ⁻³	37X10 ³	0.03	1	±1.0	1738
LK15-90-□□□□ WP	180	360	10000	2.56X10 ⁻³	68X10 ³	0.03	1	±1.0	1980
LK15-90L-□□□□ WP	180	360	10000	2.95X10 ⁻³	78X10 ³	0.03	1	±1.0	2178
LK15-100-□□□□ WP	280	560	8000	3.68X10 ⁻³	79X10 ³	0.03	1	±1.0	2260
LK15-100L-□□□□ WP	280	560	8000	4.23X10 ⁻³	91X10 ³	0.03	1	±1.0	2486
LK15-126-□□□□ WP	450	900	10000	7.95X10 ⁻³	216X10 ³	0.03	1	±1.0	4300
LK15-126L-□□□□ WP	450	900	7000	9.14X10 ⁻³	248X10 ³	0.03	1	±1.0	5160
LK15-144-□□□□ WP	760	1520	8000	16.7X10 ⁻³	380X10 ³	0.03	1	±1.0	6200
LK15-144L-□□□□ WP	760	1520	6500	19.2X10 ⁻³	437X10 ³	0.03	1	±1.0	7440

说明：惯性力矩和重量按最大孔径计算。

Moment of inertia and mass figures based on the maximum shaft bores