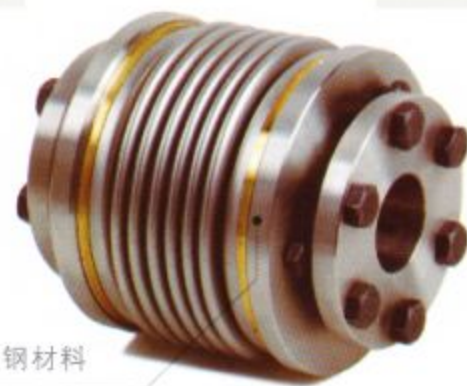


LK14 系列 波纹管胀套联轴器

LK14 Series Locking Assemblies Coupling (Bellows)

特点 Features

- 利用胀套联接的波纹管联轴器
- 零回转间隙，拆装方便
- 弹性波纹管结构补偿径向、角向和轴向偏差
- 顺时针与逆时针回转特性完全相同
- 波纹管材料为不锈钢材料
- Using locking assemblies connect , bellows type flexible coupling
- Zero backlash
- Spring action bellows configuration absorbs parallel, angular misalignments and shaft end-play
- Identical clockwise and anticlockwise rotational characteristics
- Bellows material:Stainless steel



主体：不锈钢材料
Body: Stainless Steel

选型举例：Ordering Information



例：LK14-55-1419

LK14: 系列号,材料为不锈钢

55: 外径尺寸: 55mm

14: d1轴径为: 14mm

19: d2轴径为: 19mm

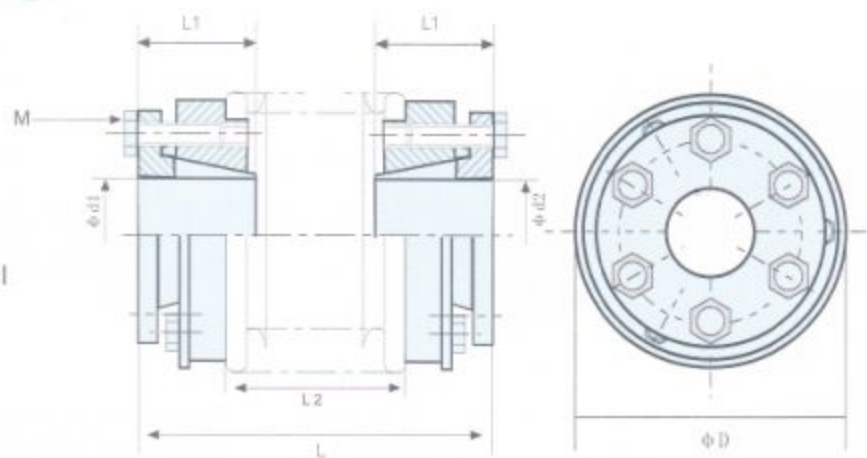
Example: LK14-55-1419

LK14: Series NO, Material :Stainless Steel

55: Outside Diam: 55mm

14: d1 Bore :14mm

19: d2 Bore :19mm



外型尺寸 Dimensions

单位 (unit): mm

型号 Model	∅d1 ∅d2 轴径 Bore	∅D	L	L1	L2	M	拧紧力矩 Wrench Torque (N.m)
LK14-40-□□□□	10 11 12 14 15 16	40	55	19	24	M4	3.0
LK14-55-□□□□	11 12 14 16 19 20	55	65	22	31	M4	6.0
LK14-65-□□□□	14 16 19 24 25 28	65	76	27	37	M5	8.0
LK14-82-□□□□	19 20 24 28 30 35 38	82	88	32	41	M5	10.0

技术参数 Specifications

型号 Model	额定扭矩 Rated Torque (N.m)	最大扭矩 Max. Torque (N.m)	最高转速 Max. Rotational Frequency (rpm)	惯性力矩 Moment of Inertia (kg · m ²)	静态扭矩刚性 Static Torsional Stiffness (N.m / rad)	径向偏差 Errors of Eccentricity (mm)	角向偏差 Errors of Angularity (°)	轴向偏差 Errors of Shaft End-play (mm)	重量 Mass (g)
LK14-40-□□□□	13	26	8000	9X10 ⁻⁵	1.5X10 ⁴	0.15	2	1.0	210
LK14-55-□□□□	28	56	6000	2.9X10 ⁻⁴	3.5X10 ⁴	0.2	2	1.5	400
LK14-65-□□□□	56	112	5000	4.6X10 ⁻⁴	6.8X10 ⁴	0.25	2	1.5	790
LK14-82-□□□□	120	240	4500	1.1X10 ⁻³	1.2X10 ⁵	0.28	2	1.5	1210

说明：惯性力矩和重量按最大孔径计算。
Moment of inertia and mass figures based on the maximum shaft bores

LK15 系列 I. 单节胀套膜片联轴器

LK15 Series I. Locking Assemblies Coupling (Single Plate Springs)

特点 Features

- 利用胀套联接的膜片型联轴器
- 零回转间隙，拆装方便
- 高灵敏度，传递力矩大
- 顺时针与逆时针回转特性完全相同
- 不锈钢膜片补偿角向和轴向偏差
- 常用于伺服电机、步进电机联接
- Using locking assemblies connect, plate springs coupling
- Zero backlash
- Excellent response and high torque capacity
- Identical clockwise and anticlockwise rotational characteristics
- Stainless steel plate springs absorb angular misalignment and shaft end-play
- For servomotor, stepmotor connect



选型举例：Ordering Information

