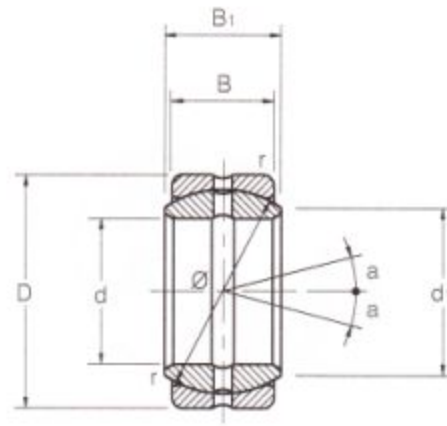


우리는 자체기술로 베어링을 개발 생산하는데 대단한 긍지를 느낍니다.

SPHERICAL PLAINS

급유형, mm치수, 광폭(廣幅)형
 STEEL ON STEEL
 METRIC DIMENSION
 WIDE WIDTH AND UNSEALED



SB

호칭번호 (Bearing No.)	질량 (Mass) gr.	주요 치수 (Dimensions) mm								동부하용량 (Basic Dynamic Load Ratings) C Kgf	정부하용량 (Basic Static Load Ratings) Co Kgf
		d	D	B	B ₁	d ₁	∅	r	a		
SB 12	19	12	22	9	11	14	18	0.5	7	1,620	9,720
SB 15	28	15	26	11	13	17.5	22	0.5	6	2,420	14,500
SB 20	53	20	32	14	16	23	28	0.5	4	3,920	23,500
SB 22	85	22	37	16	19	25.5	32	0.5	6	5,120	30,700
SB 25	116	25	42	18	21	29	36	0.5	5	6,480	38,900
SB 30	225	30	50	23	27	36	45	1	6	10,400	62,100
SB 35	300	35	55	26	30	40	50	1	5	13,000	78,000
SB 40	375	40	62	28	33	44	55	1	6	15,400	92,400
SB 45	600	45	72	31	36	50.5	62	1	5	19,200	115,000
SB 50	870	50	80	36	42	58.5	72	1	5	25,900	156,000
SB 55	1,260	55	90	40	47	64.5	80	1	6	32,000	192,000
SB 60	1,700	60	100	45	53	72.5	90	1	6	40,500	243,000
SB 65	2,050	65	105	47	55	76	94	1	5	44,200	265,000
SB 70	2,220	70	110	50	58	81.5	100	1	5	50,000	300,000
SB 75	3,020	75	120	55	64	89.5	110	1	5	60,500	363,000
SB 80	3,980	80	130	60	70	97.5	120	1	5	72,000	432,000
SB 85	4,290	85	135	63	74	100.5	125	1	6	78,800	473,000
SB 90	4,710	90	140	65	76	105.5	130	1	5	84,500	507,000
SB 95	6,050	95	150	70	82	113.5	140	1	5	98,000	588,000
SB 100	7,420	100	160	75	88	121.5	150	1.5	5	113,000	675,000
SB 110	8,550	110	170	80	93	130	160	1.5	5	128,000	768,000
SB 115	10,300	115	180	85	98	132.5	165	1.5	5	140,000	842,000
SB 120	12,400	120	190	90	105	140	175	1.5	6	158,000	945,000
SB 130	13,800	130	200	95	110	148.5	185	1.5	5	176,000	1,050,000
SB 150	17,000	150	220	105	120	166	205	1.5	5	215,000	1,290,000

▶ 註 현재 SB 150까지 생산합니다.
 SB series up to SB 150 are now available.