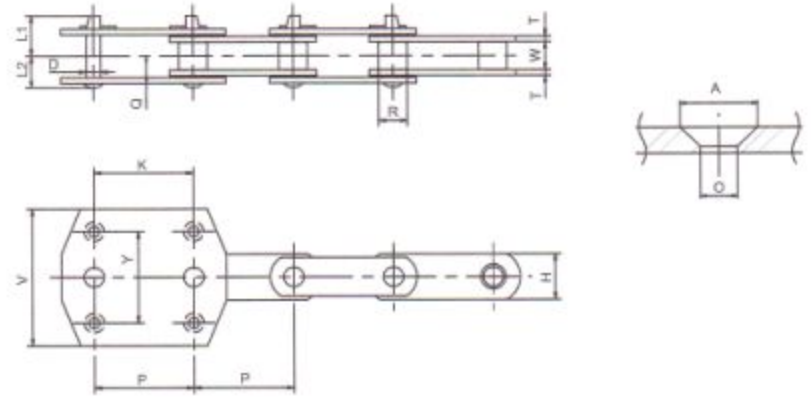
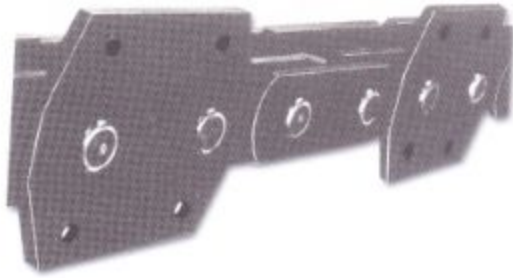


Chains for High - Bucket Elevator

高速斗式提升链

This chain is specially designed for high-speed bucket elevator and has excellent Wear life, Strength and Fatigue strength

适用于垂直运作的高速升降机，有着优良的强度、耐冲击性、耐疲劳性。



unit : mm

DONG BO Chain No.	Pitch P	Roller Dia R	Inner width W	D	Pin		Plate		Attachment Dimensions						Avg. Breaking load (kgf)	Weight (kg/m)	
					L ₁	L ₂	T	H	V	K	Y	Q	A	O		non attached	with attachment
HB23100	100	44.5	51.8	19.05	59.8	51.7	9	50	150	100	105	45.5	33	18	23,000	17.5	20.4
HB32100	100	50.8	57.6	22.2	62.8	55.7	9	65	150	100	105	48.5	33	18	32,000	24.7	27.3
HB33100	100	44.5	51.8	22.2	60.2	53.8	9	57	150	100	105	45.5	33	18	33,000	19.0	21.7
HB50100	100	50.8	57.6	25.4	64.2	57.3	9	75	150	100	150	48.5	33	18	50,000	26.2	28.6
HB50125	125								180	125	130					23.0	26.1
HB75125	125								180	125	130					41.9	46.1
HB75150	150	63.5	67.4	31.8	78.0	70.0	12	90	220	150	170	60	33	18	75,000	37.6	42.7
HB75175	175								230	175	180					34.5	39.7
HB100125	125								180	125	130		33	18		63.3	68.1
HB100150	150	70	75	35	90.8	83.2	16	100	230	150	170	72	39	22	100,000	56.7	63.9
HB100175	175								240	175	180		39	22		52.0	59.3
HB120125	125								200	125	150		33	18		74.6	79.8
HB120150	150	75	82.5	38.5	95.5	88.0	16	115	230	150	170	76	39	22	120,000	68.3	75.1
HB120175	175								240	175	180		39	22		62.5	69.4
HB140150	150	82	85	41.75	99.3	90.2	16	125	230	150	170	77	39	22	140,000	81.3	87.8
HB140175	175								250	175	180		42.2	26		74.0	81.1
HB160175	175	86	92.5	44.5	110.3	101.2	19	130	250	175	180	87	42.2	26	160,000	91.6	99.9
HB200175	175	97	95	50.8	114.0	103.5	19	150	260	175	195	88.5	42.2	26	200,000	119.3	134.2

