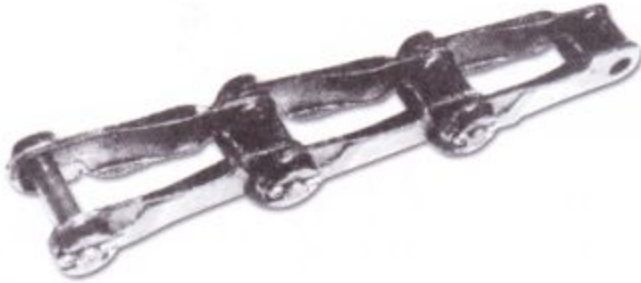


Chains for Water Industry / Sewage Treatment

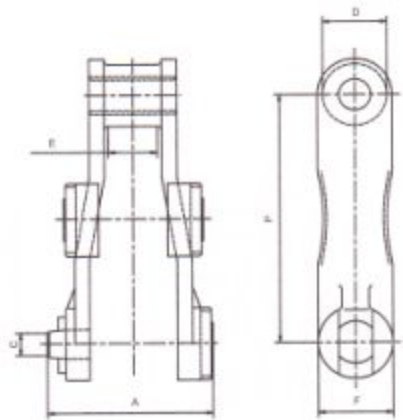
工业污水处理用链条

700 Class pintle chain 700枢轴链条



The 700-class Pintle Chain can withstand corrosion and rust, thereby making it possible for usages in salt water and under polluted waters. It is a conveyor chain for environment purposes such as collectors at sewage treatment facilities. Its long and strong pitches, along with wide bottom surface are designed to withstand abrasion and corrosion. In addition, in order to attach large scrapers or buckets, strong attachments are provided. The 710 series chains are adequate for Batchers Plants on the ground for conveying sand, gravel with capabilities to withstand harsh abrasion.

700系列枢轴链条能够耐腐蚀、耐锈蚀，因此它适用于盐碱水和污染水环境。这种链条作为环保型用途，常见于污水处理设施中。它大而有力的节距，宽大的底部表面可以抵制磨损和腐蚀。另外，为负载大型挡板和铲斗，可安装有力的附件。710系列链条可以应用于混凝土设备来输送沙、砾并能承受粗糙带来的磨损。



unit : mm

DONG BO Chain No.	Pitch		Dimensions					Avg. Breaking Load (kgf)	Max. Allowable Load (kgf)	Weight (kg/m)
	mm	in	A	C	D	E	F			
DBC 710	119.6	4.71	143	17.5	28.6	60	35	12,500	1,900	9.4
DBC 720	152.4	6.00	90	17.5	35	27	38	12,500	1,610	7.4
DBC 720S	152.4	6.00	98	19.1	36.5	27	40	17,000	1,840	7.8
DBC 730	152.4	6.00	97	19.1	38.1	27	45	19,000	1,950	9

Available Attachment 可负载附件

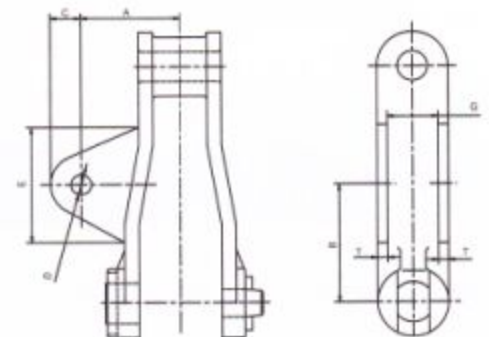
DONG BO Chain No.	A-21	A-42	A-53	AD-474	AM-116	F-2	F-3(SF-4)	F-226	F-228	K-2	M-1
DBC 710										○	
DBC 720				○		○	○	○	○		○
DBC 720S	○		○	○	○	○	○	○	○		○
DBC 730		○	○		○	○	○	○	○	○	○

*○ = available

A-53 Attachment

unit : mm

DONG BO Chain No.	Dimensions								Approx Weight (kg/m)
	A	B	C	D	E	G	T		
DBC 720S	62	76	19.1	12.7	76	24	6.3	7.74	
DBC 730	49	76	19.1	12.7	76	28	6.3	9.38	



A-53 Attachment

Chains for Water Industry / Sewage Treatment

工业污水处理用链条

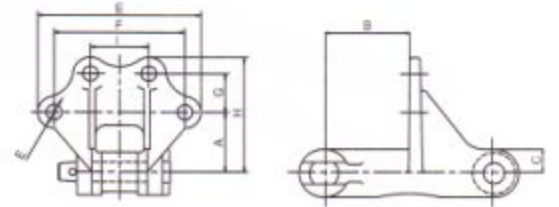
700 Class pintle chain 700系列枢轴链条



F-2 Attachment

DONG BO		Dimensions									Weight
Chain No.		A	B	C	D	E	F	G	H	I	(kg/m)
	720	50.8	76	19.1	12.7	135	54	33	98	33	9.7
DBC	720S	50.8	76	19.8	12.7	135	54	33	98	33	11.5
	730	50.8	76	22.2	12.7	135	54	33	98	33	12.9

unit : mm

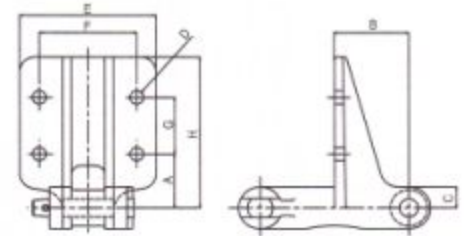


F-2

F-3 Attachment

DONG BO		Dimensions								Weight
Chain No.		A	B	C	D	E	F	G	H	(kg/m)
	720	60	76	19.1	12.7	138	100	60	140	15.7
DBC	720S	60	76	19.8	12.7	125	95	64	139	16
	730	60	76	22.2	12.7	130	95	64	152	20

unit : mm



F-3, F-226, F-228

F-226 Attachment

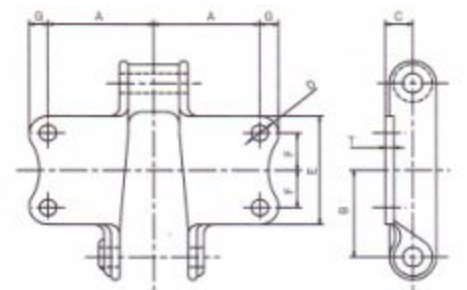
DONG BO		Dimensions								Weight
Chain No.		A	B	C	D	E	F	G	H	(kg/m)
	720	60	76	19.1	12.7	130	95	67	152	16.7
DBC	720S	60	76	19.8	12.7	130	95	67	152	17.1
	730	60	76	22.2	12.7	130	95	67	152	20.5

unit : mm

F-228 Attachment

DONG BO		Dimensions								Weight
Chain No.		A	B	C	D	E	F	G	H	(kg/m)
	720	60	76	19.1	12.7	127	95	114	197	19.4
DBC	720S	60	76	19.8	12.7	127	95	114	203	20.1
	730	60	76	22.2	12.7	127	95	114	203	23.1

unit : mm



K-2

K-2 Attachment

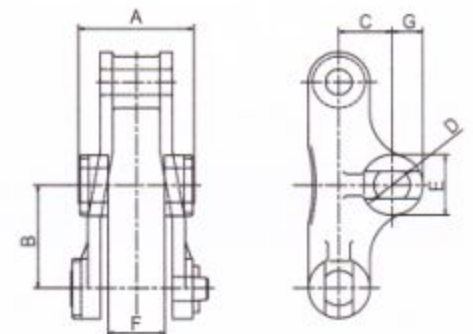
DONG BO		Dimensions								Weight
Chain No.		A	B	C	D	E	F	G	H	(kg/m)
	710	79	60	20.6	19.1	84	29	14	6.3	12.1
DBC	730	76	76	25.4	12.7	102	33	18	7.9	12.8

unit : mm

M-1 Attachment

DONG BO		Dimensions							Weight
Chain No.		A	B	C	D	E	F	G	(kg/m)
	720	76	76	38.1	19.1	38.1	38.1	19.1	9
DBC	720S	76	76	38.1	19.1	38.1	38.1	19.1	10
	730	76	76	41.3	19.1	38.1	38.1	19.1	11.6

unit : mm



M-1

DAS Steel Chain DAS钢制链条

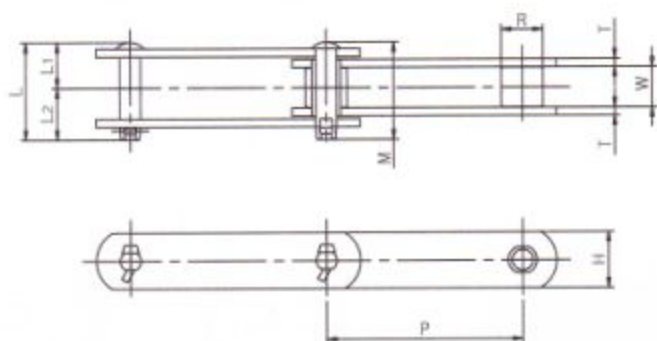


This chain is designed specially for water treatment facilities. Unlike standard type chains, they are manufactured with special alloy steel to sustain strength and withstand from corrosion and abrasion.

The pin and bush for the DAS chain used in automatic dust remover are manufactured with 400-class stainless steel to increase its ability to withstand from corrosion and abrasion.

此种链条是专门为污水处理设备所设计，其不同于标准型链条，他们是用特殊的合金钢来抵抗腐蚀和磨损。

应用于除尘器的DAS链条，其销轴和套筒材质为不锈钢400系列，以此来增加抗腐蚀和抗磨损性能。



unit : mm

DONG BO Chain No.		Pitch P	Roller R			Inner Width W	Plate		Pin				Avg. Breaking Load(kgf)	Guaranted Breaking Load(kgf)	Weight of Roller (kg/m)			
Standard Designation	Chain No.		Roller Type	S-R/O	F-R/O		R-R/O	T	H	D	L1	L2			L	S-R/O	R-R/O	F-R/O
DBC	DAS 15215	S-F-R	152.4	25.4	50.8	50.8	30.2	6.3	38.1	11.05	31.0	38.0	69.0	15,000	13,500	6.0	7.8	8.0
	DAS 15219	S-F-R	152.4	29.0	50.8	50.8	30.2	6.3	38.1	14.18	32.8	40.5	73.3	19,000	17,100	6.6	7.8	8.0
	DAS 15228	S-F-R	152.4	34.9	65.0	65.0	37.1	7.9	44.5	15.80	40.0	47.5	87.5	28,000	25,500	9.3	12.0	13.0
	DAS 15235	S-F-R	152.4	39.7	70.0	70.0	37.1	9.5	50.8	18.94	44.5	53.0	97.5	38,000	35,000	12.6	17.1	18.1
	DAS 15248	S	152.4	44.5	-	-	57.2	9.5	63.5	22.11	55.3	64.3	119.6	52,000	47,000	17.8	-	-

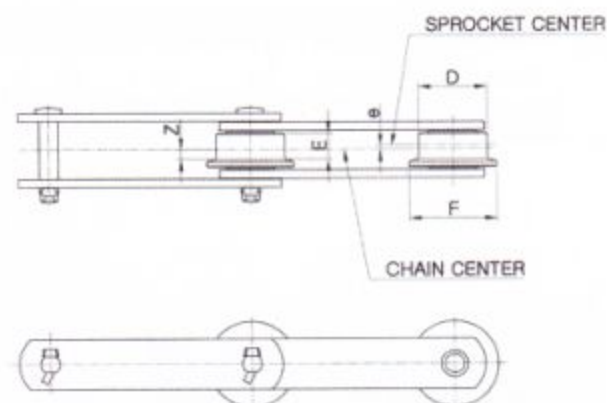
* R/O=Roller

unit : mm

DONG BO Chain No.	D	F	e	Z	E
DBC DAS 15215	50.8	65	3	7	20
DAS 15219	50.8	65	3	7	20
DAS 15228	65.0	85	4	8	24
DAS 15235	70.0	85	3.5	9	25

Available Attachment

DONG BO Chain No.	D-22	T-1	A-2
DAS 15215		○	○
DAS 15219	○	○	○
DBC DAS 15228	○	○	○
DAS 15235	○	○	○
DAS 15248		○	



Chain for Water Industry / Sewage Treatment

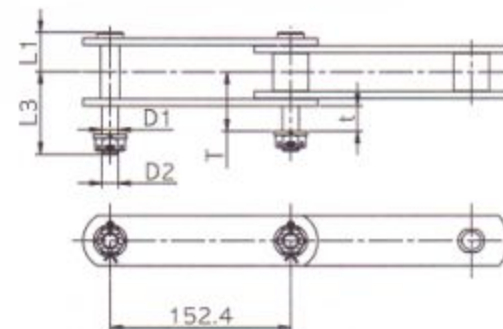
工业污水处理用链条

DAS Steel Chain DAS钢制链条

D-22 Attachment

unit : mm

DONG BO Chain No.	Dimensions						Weight (kg/each)
	L1	L3	D1	D2	l	t	
DAS 15219	32.8	59.0	13.5	M12	44.3	16	0.12
DBC DAS 15228	40.0	68.0	15.5	M14	51.1	16	0.13
DAS 15235	44.5	74.0	18.0	M16	54.4	16	0.19

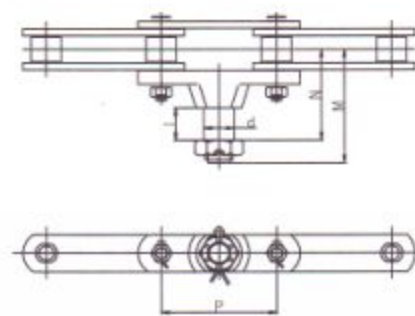


D-22 Attachment

T-1 Attachment

unit : mm

DONG BO Chain No.	Pitch P	Dimension				Weight (kg/each)
		M	N	d	ℓ	
DAS 15215	152.4	108	80	25	30	1.2
DAS 15219	152.4	108	85	30	35	1.4
DBC DAS 15228	152.4	149	122	40	44	2.8
DAS 15235	152.4	151	124	40	44	3.4
DAS 15248	152.4	184	145	50	50	5.1

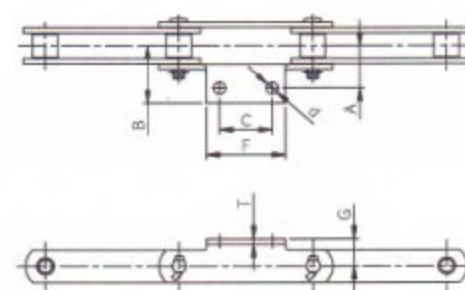


T-1 Attachment

A-2 Attachment

unit : mm

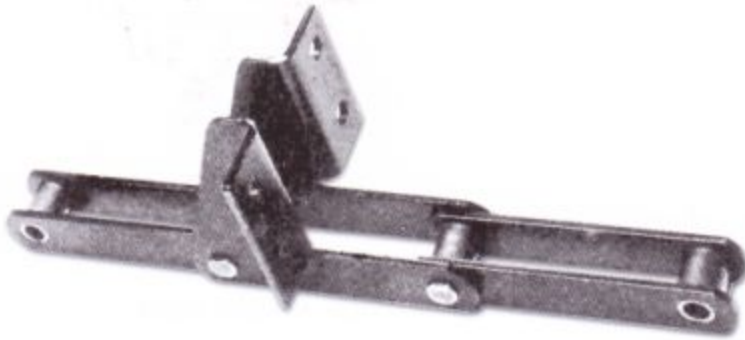
DONG BO Chain No.	Pitch P	Dimension						Weight (kg/each)	
		A	B	C	F	G	d		T
DAS 15215	152.4	50	66	60	90	32	14	6.3	0.25
DAS 15219	152.4	50	66	60	90	32	14	6.3	0.25
DBC DAS 15228	152.4	60	81	60	100	38	18	7.9	0.40
DAS 15235	152.4	65	86	60	100	45	18	9.5	0.55



A-2 Attachment



DSS Stainless Steel Chain DSS不锈钢链条

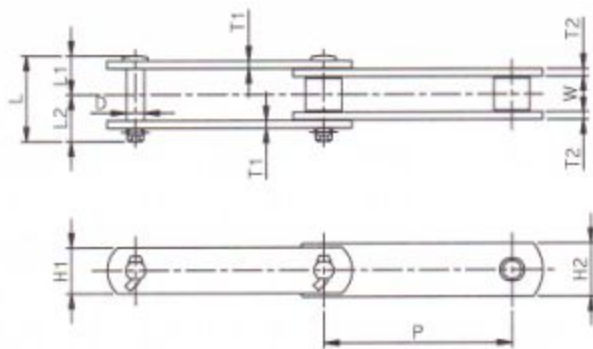


All components are manufactured with carefully selected stainless steel through the precision press procedure.

This chain is designed with high precision and has light weight. It maintains sufficient ultimate tensile strength and has excellent capabilities to withstand from corrosion and abrasion.

SF-4 attachments are placed on Sludge Collector Flights, D-22 attachments on Grit Collector Bucket Elevators, and A-2 attachments on Dust Collector Rakes.

链条所有的部品都是由精选的不锈钢通过精密的冲压工艺生产的。这种链条高精密度、低重量；有较强的张力，并且有很强的抗腐蚀、抗磨损能力。SF-4附件用于淤泥的输送，D-22附件用于沙石的收集输送，A-2附件用于灰尘的收集设备。

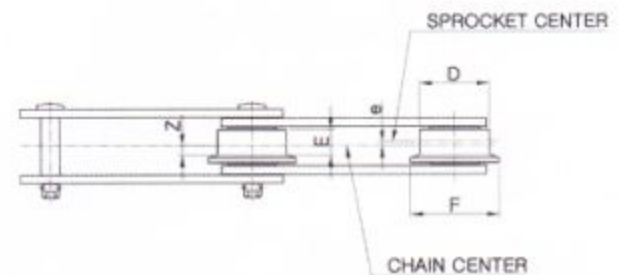


unit : mm

DONG BO Chain No.		Pitch P	Roller Dimensions R			Inner Width W	Pin Link Plate		Bushing Link Plate		pin				Avg. Breaking load (kgf)	Guarnted Breaking load (kgf)	Weight of roller (kgf)			
Standard Designation	Chain No.		Bushed Type	S-Roller Type	F-Roller Type		T ₁	H ₁	T ₂	H ₂	D	L ₁	L ₂	L			Bushed Type	S-Roller Type	F-Roller Type	
DBC	DSS 15215	B·S·F	152.4	24	29	48	26	5	36	6	38	13.5	29	33	62	15,000	13,500	4.2	4.6	7.3
	DSS 15219	B·S·F	152.4	26	32	50	30	6	38	6	44	14.5	32	40	72	19,000	17,500	5.8	6.7	8.5
	DSS 15225	B·S·F	152.4	30	36	58	34	6	44	7	54	15.3	36	44	80	25,000	23,000	6.9	7.7	11.5
	DSS 15235	B·S·F	152.4	36	32	70	38	7	54	7	60	18.9	40	48	88	35,000	32,000	10.3	11.7	16.4

unit : mm

DONG BO Chain No.	D	F	e	Z	E
DBC DSS 15215	48	60	2.25	5.75	16
DSS 15219	50	65	3.00	7.00	20
DSS 15228	58	75	3.00	9.00	24
DSS 15235	70	90	4.00	8.50	25



Available Attachment 可负载附件

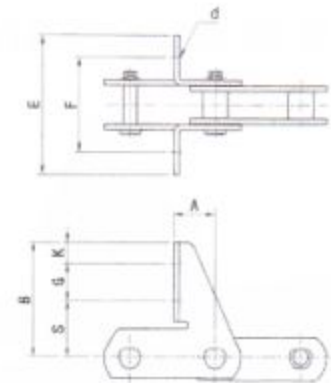
DONG BO Chain No.	SF-4	A-2	D-22
DBC DSS 15215	○	○	○
DSS 15219	○	○	○
DSS 15225	○	○	○
DSS 15235	○	○	○

Chains for Water Industry / Sewage Treatment

工业污水处理用链条

DSS Stainless Steel Chain DSS不锈钢链条

SF-4 Attachment SF-4附件

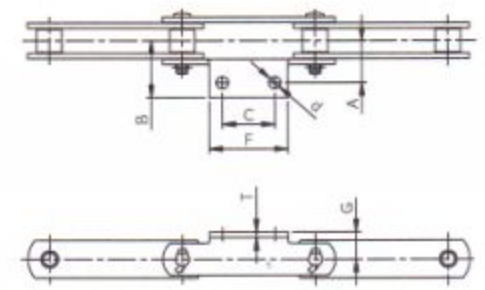
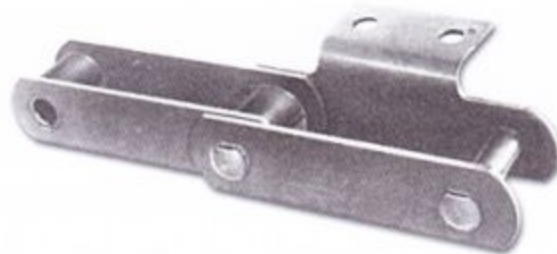


SF-4 Attachment

unit : mm

DONG BO		Dimensions										Add. Weight per Attachment (kg/each)
Chain No.		A	B	C	E	F	G	K	S	T	d	
DBC	DSS 15215	76	140	38	140	100	60	20	22	5	14	1.0
	DSS 15219	76	157.5	40	140	100	75	20	22.5	6	14	1.3
	DSS 15219	76	142.5	40	150	112	60	20	22.5	6	14	1.4
	DSS 15219	76	155	32	140	100	65	20	38.0	6	14	1.45
	DSS 15225	76	162	40	140	100	75	20	27	6	18	1.6
	DSS 15235	76	175	40	150	110	76	25	35	7	18	1.9

A-2 Attachment A-2附件

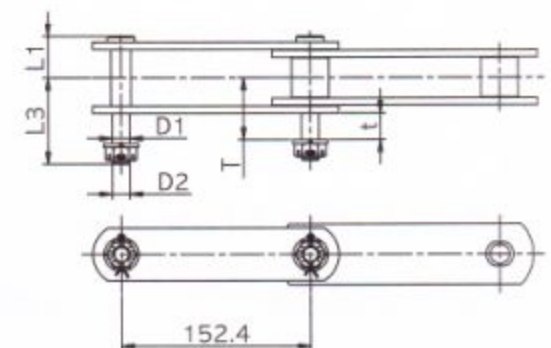


A-2 Attachment

unit : mm

DONG BO		Dimensions							Add. Weight per Attachment (kg/each)
Chain No.		A	B	C	F	G	d	T	
DBC	DSS 15215	45	60	60	90	30	14	5	0.16
	DSS 15219	50	65	60	90	32	14	6	0.21
	DSS 15225	55	75	60	100	35	18	6	0.27
	DSS 15235	65	90	60	100	42	18	7	0.39

D-22 Attachment D-22附件



D-22 Attachment

unit : mm

DONG BO		Dimensions						Add. Weight per Attachment (kg/each)
Chain No.		L1	L3	D1	D2	l	t	
DBC	DSS 15215	29	51	13	M12	37	12	0.11
	DSS 15219	32	58	14	M12	44	16	0.12
	DSS 15225	36	64	15	M14	47	16	0.13
	DSS 15235	40	72	18	M16	53	19	0.19