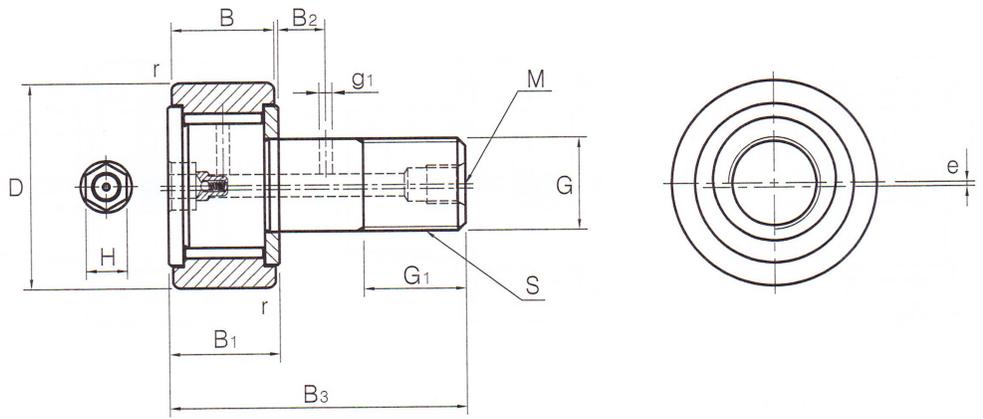


## STUD TYPE TRACK ROLLERS

충진형, mm치수, 편심형  
 FULL COMPLEMENT OF NEEDLE ROLLER  
 METRIC DIMENSION  
 ECCENTRIC TYPE



CFH



CFH..V

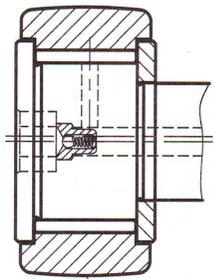
스터드경 (Stud diameter) G mm	호칭 번호 (Bearing No.)				질량 (Mass) gr.	주요 치수 (Dimensions) mm		
	씰 없음 (Unsealed)		씰 부착 (Sealed)			H	D	나사 (Thread sizes) S
	원통외륜 (Cylindrical outer ring)	구면외륜 (Crowned outer ring)	원통외륜 (Cylindrical outer ring)	구면외륜 (Crowned outer ring)				
	CFH..V	CFH..VR	CFH..VUU	CFH..VUUR				
8	CFH 8V	CFH 8VR	CFH 8VUU	CFH 8VUUR	28.5	4	19	M 8×1.25
10	CFH 10V	CFH 10VR	CFH 10VUU	CFH 10VUUR	45	4	22	M10×1.25
	CFH 10-1V	CFH 10-1VR	CFH 10-1VUU	CFH 10-1VUUR	60		26	
12	CFH 12V	CFH 12VR	CFH 12VUU	CFH 12VUUR	95	6	30	M12×1.5
	CFH 12-1V	CFH 12-1VR	CFH 12-1VUU	CFH 12-1VUUR	105		32	
16	CFH 16V	CFH 16VR	CFH 16VUU	CFH 16VUUR	170	6	35	M16×1.5
18	CFH 18V	CFH 18VR	CFH 18VUU	CFH 18VUUR	250	10	40	M18×1.5
20	CFH 20V	CFH 20VR	CFH 20VUU	CFH 20VUUR	460	10	52	M20×1.5
	CFH 20-1V	CFH 20-1VR	CFH 20-1VUU	CFH 20-1VUUR	385		47	
24	CFH 24V	CFH 24VR	CFH 24VUU	CFH 24VUUR	815	12	62	M24×1.5
	CFH 24-1	CFH 24-1VR	CFH 24-1VUU	CFH 24-1VUUR	1,140		72	
30	CFH 30V	CFH 30VR	CFH 30VUU	CFH 30VUUR	1,870	12	80	M30×1.5
	CFH 30-1V	CFH 30-1VR	CFH 30-1VUU	CFH 30-1VUUR	2,030		85	
	CFH 30-2V	CFH 30-2VR	CFH 30-2VUU	CFH 30-2VUUR	2,220		90	

▶註 이 품목은 주문에 의하여 생산합니다.  
 These types are produced on customer's request.

우리는 자체기술로 베어링을 개발 생산하는데 대단한 긍지를 느낍니다.

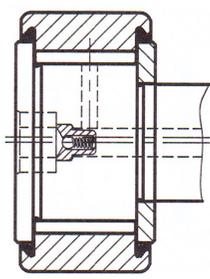
## STUD TYPE TRACK ROLLERS

충진형, mm치수, 편심형  
 FULL COMPLEMENT OF NEEDLE ROLLER  
 METRIC DIMENSION  
 ECCENTRIC TYPE

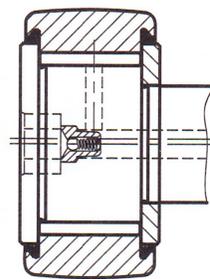


R500 (CF18 이하/To CF18)  
 R1,000 (CF20 이상/Over CF20)

CFH..VR

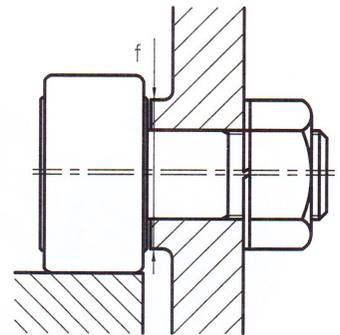


CFH..VUU



R500 (CF18 이하/To CF18)  
 R1,000 (CF20 이상/Over CF20)

CFH..VUUR



주요 치수 (Dimensions) mm									설치치수 f 최소 (Minimum Clamping Diameter) mm	기본 동정격 하중 (Basic dynamic load ratings) C Kgf	기본 정정격 하중 (Basic static load ratings) Co Kgf	허용 회전수 (Limiting speed) rpm
B	B1	B3	M	g1	G1	B2	e	r				
11	12	32	-	-	11	-	0.25	0.5	13	750	1,030	9,000
12	13	36	-	-	13	-	0.3	1	15	870	1,330	7,000
14	15	40	M6×1.0	3	14	6	0.4	1.5	20	1,230	1,810	6,000
18	19.5	52	M6×1.0	3	18	8	0.5	1.5	24	1,900	3,460	4,500
20	21.5	58	M6×1.0	3	20	10	0.6	1.5	26	2,320	4,720	3,500
24	25.5	66	M6×1.0	4	22	12	0.7	1.5	36	3,040	5,920	3,500
29	30.5	80	M6×1.0	4	25	12	0.8	1.5	40	4,280	8,450	3,000
35	37	100	M6×1.0	4	32	15	1.0	2	46	6,210	13,230	2,000

