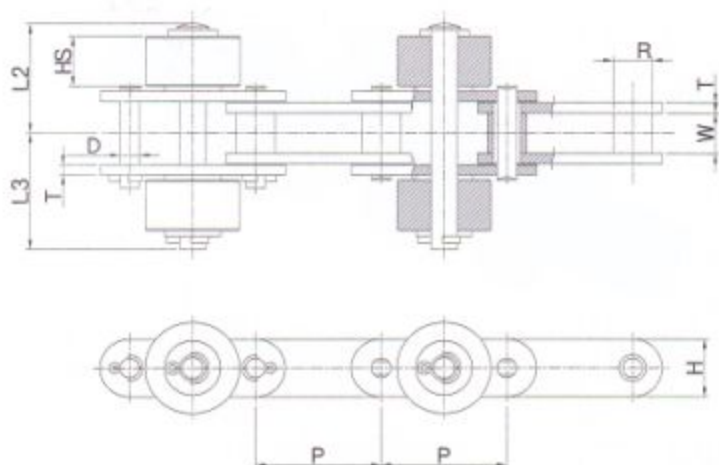




Side Roller Chains

侧滚子链条

G-Hole Installation Type G孔安装型



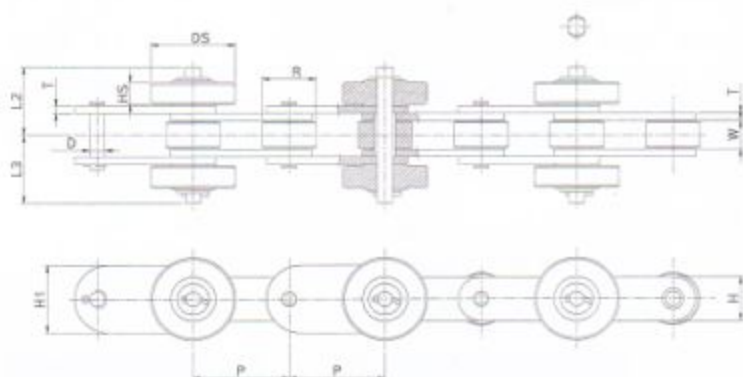
unit : mm

DONG BO Chain No			Pitch P	Inner Width W	R-Roller R	Plate		Pin			Side Roller		Approx. Weight (kg/m)	
						T	H	D	L2	L3	DS	HS	PSR*	SSR*
DBC 2040	PSR	-GK	25.4	7.95	7.92	1.5	12	3.97	18.9	18.2	15.88	7.8	0.8	1.3
DBC 2050	PSR	-GK	31.75	9.53	10.16	2	15	5.09	22.5	23.2	19.05	9.4	1.3	1.8
DBC 2060	PSR	-GK	38.10	12.7	11.91	3.2	18.1	5.96	30.9	32.7	22.23	12.6	2	2.8
DBC 2080	PSR	-GK	50.8	15.88	15.88	4	24.1	7.93	36.95	42.35	28.58	15.8	3.5	4.7

*PSR=Plastic Side Roller / SSR=Steel Side Roller
PSR=塑料侧滚子 SSR=钢制侧滚子

Guide Plate Type for Derailing Prevention

防脱离导向型



unit : mm

DONG BO Chain No			Pitch P	Inner Width W	Roller Dia R	Plate		Pin			Side Roller		Approx. Weight (kg/m)
						T	H	D	L2	L3	DS	HS	
DBC 2080 SSR-TG			50.8	15.88	28.58	4	24.1	7.94	36.95	36.95	38.1	12.0	6.1
											45.0		
DBC 2100 SSR-TG			63.5	19.05	39.69	4.5	30.1	9.54	38.7	41.8	57.2	12.0	10.6
											60.0		

Note) When ordering, please indicate installation method (inner or outer plate installation) and spacing of guide plate.
注: 订货时, 请说明滚子安装方法(内板或外板安装)和GUIDE板连接。