

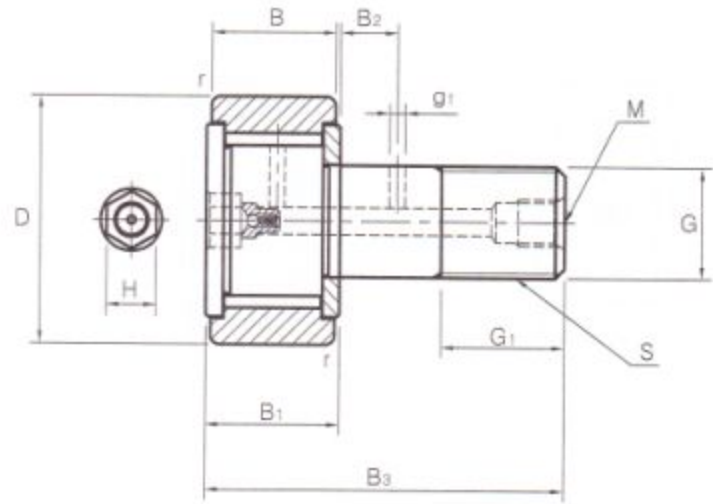
STUD TYPE TRACK ROLLERS

충진형, mm치수
FULL COMPLEMENT OF NEEDLE ROLLER
METRIC DIMENSION

STAINLESS STEEL



CF..VM



CF..VM

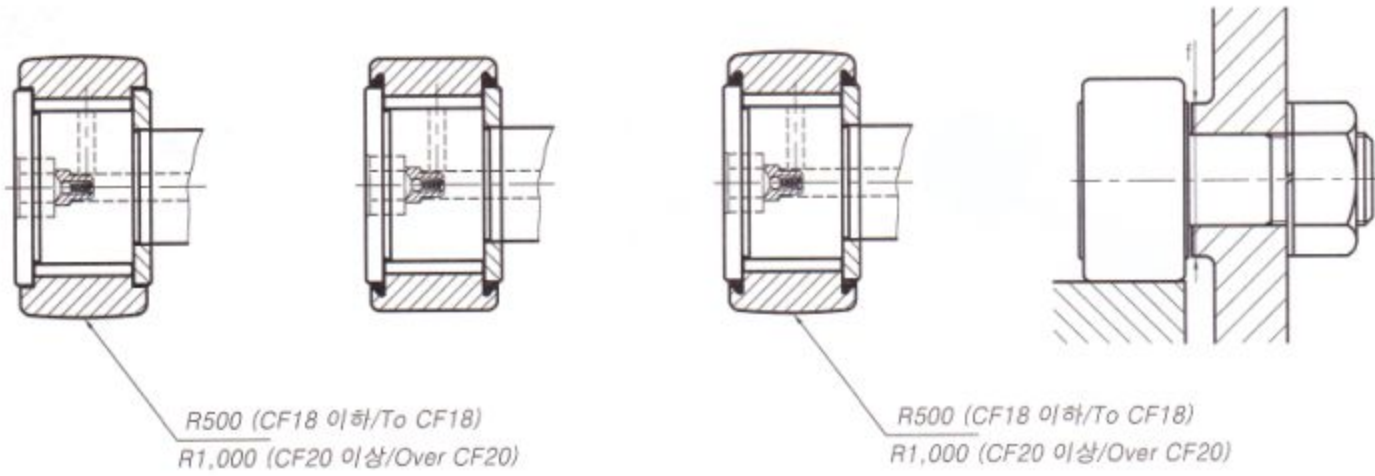
스터드경 (Stud diameter) G mm	호칭 번호 (Bearing No.)				질량 (Mass) gr.	주요 치수 (Dimensions) mm		
	씰 없음 (Unsealed)		씰 부착 (Sealed)			H	D	나사 (Thread sizes) S
	원통외륜 (Cylindrical outer ring)	구면외륜 (Crowned outer ring)	원통외륜 (Cylindrical outer ring)	구면외륜 (Crowned outer ring)				
	CF..VM	CF..VMR	CF..VMUU	CF..VMUUR				
3	CF 3VM	CF 3VMR	CF 3VMUU	CF 3VMUUR	5	2	10	M3×0.5
4	CF 4VM	CF 4VMR	CF 4VMUU	CF 4VMUUR	8	2.5	12	M4×0.7
5	CF 5VM	CF 5VMR	CF 5VMUU	CF 5VMUUR	11	3	13	M5×0.8
6	CF 6VM	CF 6VMR	CF 6VMUU	CF 6VMUUR	19	3	16	M6×1.0
8	CF 8VM	CF 8VMR	CF 8VMUU	CF 8VMUUR	29	4	19	M8×1.25
10	CFA 10VM	CFA 10VMR	CFA 10VMUU	CFA 10VMUUR	46	4	22	M10×1.0
	CFA 10-1VM	CFA 10-1VMR	CFA 10-1VMUU	CFA 10-1VMUUR	61		26	
10	CF 10VM	CF 10VMR	CF 10VMUU	CF 10VMUUR	46	4	22	M10×1.25
	CF 10-1VM	CF 10-1VMR	CF 10-1VMUU	CF 10-1VMUUR	61		26	
12	CF 12VM	CF 12VMR	CF 12VMUU	CF 12VMUUR	97	6	30	M12×1.5
	CF 12-1VM	CF 12-1VMR	CF 12-1VMUU	CF 12-1VMUUR	107		32	
16	CF 16VM	CF 16VMR	CF 16VMUU	CF 16VMUUR	173	6	35	M16×1.5
18	CF 18VM	CF 18VMR	CF 18VMUU	CF 18VMUUR	255	10	40	M18×1.5
20	CF 20VM	CF 20VMR	CF 20VMUU	CF 20VMUUR	465	10	52	M20×1.5
	CF 20-1VM	CF 20-1VMR	CF 20-1VMUU	CF 20-1VMUUR	390		47	
24	CF 24VM	CF 24VMR	CF 24VMUU	CF 24VMUUR	820	12	62	M24×1.5
	CF 24-1VM	CF 24-1VMR	CF 24-1VMUU	CF 24-1VMUUR	1,140		72	
30	CF 30VM	CF 30VMR	CF 30VMUU	CF 30VMUUR	1,870	12	80	M30×1.5
	CF 30-1VM	CF 30-1VMR	CF 30-1VMUU	CF 30-1VMUUR	2,030		85	
	CF 30-2VM	CF 30-2VMR	CF 30-2VMUU	CF 30-2VMUUR	2,220		90	

▶ 註 CFA10과 CFA10-1 시리즈는 스테드부 나사가 M10×1.0 입니다.
The thread size of CFA10 and CFA10-1 series are M10×1.0.

▶ 註 이 품목은 주문에 의하여 생산합니다.
These types are produced on customer's request.

STUD TYPE TRACK ROLLERS

충진형, mm치수
FULL COMPLEMENT OF NEEDLE ROLLER
METRIC DIMENSION



CF..VMR

CF..VMUU

CF..VMUUR

주요 치수 (Dimensions) mm								설치치수 f 최소 (Minimum Clamping Diameter) mm	기본 동정격 하중 (Basic dynamic load ratings) C Kgf	기본 정정격 하중 (Basic static load ratings) Co Kgf	허용 회전수 (Limiting speed) rpm
B	B1	B3	M	g1	G1	B2	r				
7	8	17	-	-	5	-	0.3	6.8	260	440	20,000
8	9	20	-	-	6	-	0.5	8.6	370	540	15,000
9	10	23	-	-	7.5	-	0.5	9.7	440	650	15,000
11	12	28	-	-	9	-	0.5	11	640	780	12,000
11	12	32	-	-	11	-	0.5	13	750	1,030	9,000
12	13	36	-	-	13	-	1	15	870	1,330	7,000
12	13	36	-	-	13	-	1	15	870	1,330	7,000
14	15	40	M6×1.0	3	14	6	1.5	20	1,230	1,810	6,000
18	19.5	52	M6×1.0	3	18	8	1.5	24	1,900	3,460	4,500
20	21.5	58	M6×1.0	3	20	10	1.5	26	2,320	4,720	3,500
24	25.5	66	M6×1.0	4	22	12	1.5	36	3,040	5,920	3,500
29	30.5	80	M6×1.0	4	25	12	1.5	40	4,280	8,450	3,000
35	37	100	M6×1.0	4	32	15	2	46	6,210	13,230	2,000

▶ 註 조립 또는 오일 공급후 육각마개를 필히 막아야 합니다.
After assembly and oil lubrication, a hexagonal resin plug should be necessarily stopped up.

