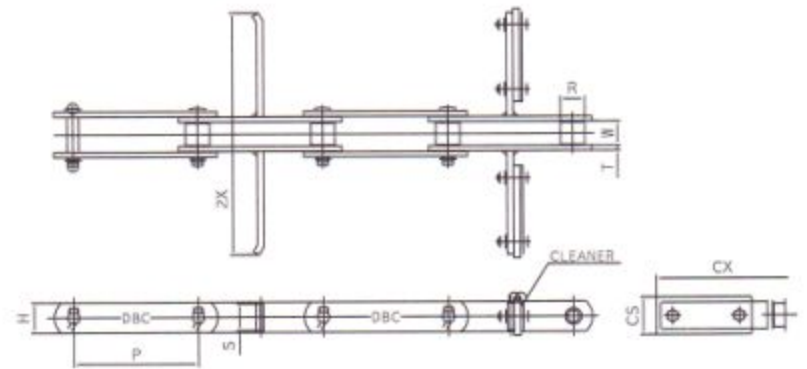


Flow Conveyor Chain for Conveying Grains

谷物输送专用链条

This is a horizontal Scraper (within 10° gradient, adjustable upward or downward) Chain for conveying grains. Purpose of the scratch plate is to prevent conveyed items from breaking, and the cleaner prevents conveyed items from remaining in the case.

链条附件的刮板用于防止被输送物体破损，清扫板用于防止被输送物的残留。



unit : mm

DONG BO Chain No.	Compatible Flow No.	Pitch P	Roller Diameter R	Inner Width W	Plate		Attachment		Cleaner		Avg. Breaking Load (kgf)	Approx. Weight (kg/m)
					T	H	Width of Wing 2X	Height S	Width CX	Height CS		
DBC 03075S	# 110	75	15.9	16.1	3.2	22	95	20	105	28	3,000	2.1
DBC 430S	# 150	101.6	20.1	22.6	4.8	25.4	135	22	145	32	5,500	3.4
DBC 450S	# 150	101.6	22.2	27	6.3	28.6	135	25	145	34	8,000	5.0
DBC 08125S	# 200	125	22.2	27	6.3	28.6	185	25	195	34	8,000	5.0
DBC 10125S	# 200	125	29	30	6.3	38.1	185	34	195	47	11,500	6.8
	# 240						225					
DBC 10150S	# 270	150	29	30	6.3	38.1	250	34	255	47	11,500	6.9
	# 320						300					
DBC 6205S	# 270	152.4	34.9	37.1	7.9	44.5	250	40	265	53	19,000	10.5
DBC 12200S	# 350	200	34.9	37.1	7.9	44.5	330	40	345	53	19,000	10.3
DBC 17200S	# 350	200	40.1	51.4	9.5	50.8	330	46	345	58	25,000	14.0
	# 450						430					
DBC 26200S	# 450	200	44.5	57.2	9.5	63.5	430	58	445	68	32,000	21.0

