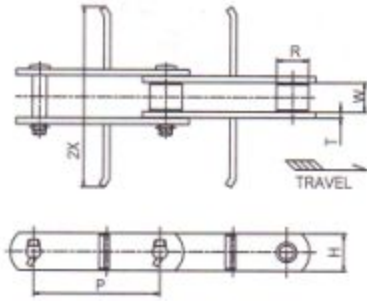


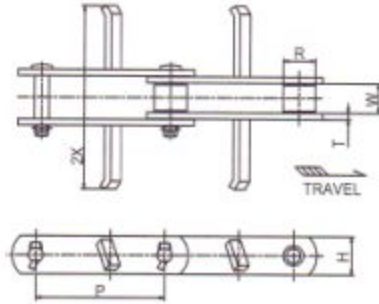
## Attachments for Flow Conveyor Chain

慢速运输链附件

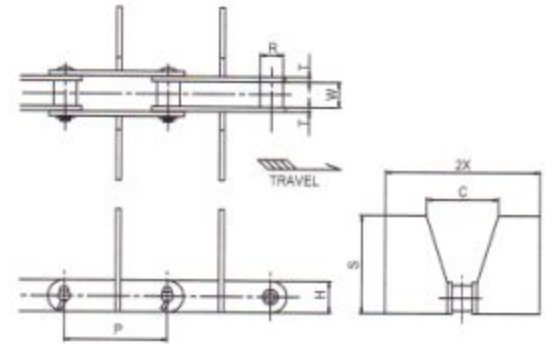
### L Attachment



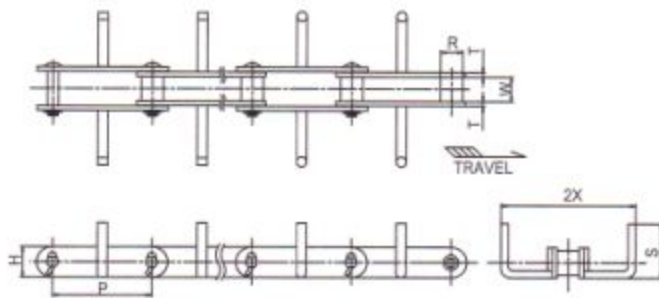
### KL Attachment



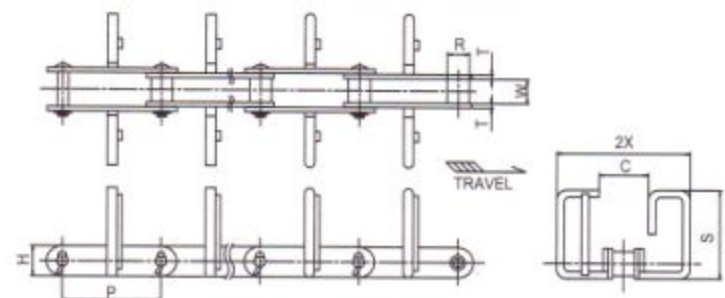
### W Attachment



### B Attachment



### U2V(U2VN) Attachment



unit : mm

DONG BO Chain No.	Compatible Conveyor No.	Pitch	Roller Dia.	Inner Width	Plate		Wing Width 2X	Dimension of Attachment											
					H	T		L-type		KL-type		W-type		B-type		U <sub>2</sub> V(U <sub>2</sub> VN)-type			
								S	* kg/m	S	* kg/m	S	C	* kg/m	S	* kg/m	S	C	* kg/m
DBC 450WM	# 150	101.6	25.4	27	31.8	6.3	135	28	6.5	28	6.5	80	80	8.1	55	7.4	80	60	9.1
DBC 08125WM	# 200	125	25.4	27	31.8	6.3	185	28	6.5	28	6.5	115	85	10.3	80	8.2	115	85	10.1
DBC 10125M	# 200	125	31.8	30	38.1	6.3	185	34	8.1	34	8.1	115	85	11.3	80	8.2	115	85	10.9
DBC 10150M	# 270	150	31.8	30	38.1	6.3	250	34	8.1	34	8.1	140	105	13.0	100	9.8	140	105	12
DBC 6205M	# 270	152.4	38.1	37.1	44.5	7.9	250	40	12	40	12	140	105	17.2	100	14.4	140	105	18.5
DBC 12200M	# 350	200	38.1	37.1	44.5	7.9	330	40	12	40	12	185	130	22.6	125	16.3	185	130	20
DBC 17200M	# 350	200	44.5	51.4	50.8	9.5	330	46	17	46	17	185	130	26.3	125	18.7	185	130	23
DBC 17250M	# 450	250	44.5	51.4	50.8	9.5	430	46	17	46	17	230	135	31.5	160	19.3	230	135	23.7
DBC 26200M	# 410	200	50.8	57.2	63.5	9.5	390	58	23	58	23	233	100	41.7	150	25	233	100	33.4
DBC 26250N	# 450	250	50.8	57.2	63.5	9.5	430	58	23	58	23	230	135	35.7	160	25	230	135	29
DBC 26300N	# 580	300	57.2	66.7	76.2	12.7	560	70	34	70	34	290	160	53.0	200	27	290	160	30.6
DBC 36300M	# 580	300	57.2	66.7	76.2	12.7	560	70	34	70	34	290	160	61.3	200	37	290	160	40

\* Weight of Attachment

## Application of Attachment

Attachment Type	Application	Attachment Type	Application
L, KL	For conveying powder items including cement and grains such as wheat For conveying powder items with high adhesiveness 运送重量型货物如水泥、粮食等运输高粘性货物	U2V型 (圆型) (round) U2VN券 (圆型) (round)	More adequate for large conveyor than L, KL or B upward gradient L, KL, B 更适合大型运输
B型 (圆形) (round)	For conveying powder item such as flour and cement at a higher conveyance efficiency than the attachment 运送鲜花、水泥等货物。	U2V型 (角型) (angle) U2VN券 (角型) (angle)	For conveying items difficult with U <sub>2</sub> V ( or U <sub>2</sub> VN) round types such as ingot, granular, or items with adhesiveness U <sub>2</sub> V(U <sub>2</sub> VN)型圆型更适合运送粒状物、砧铁及黏着性货物
B型 (角型) (angle)	For conveying powder items difficult with B-round types such as ingot, granular, or items with adhesiveness 运送B圆型输送有困难的货物 如：砧铁、粒状物或黏着性货物	W型	For conveying powder items that easily disperse into air 用于输送易挥发型货物