

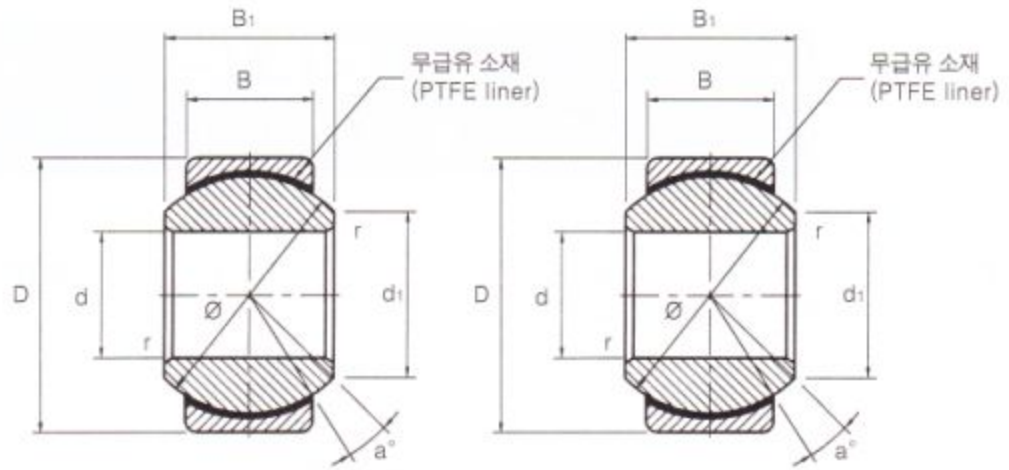
# SPHERICAL PLAINS

DIN 648 Series K

무급유형, mm치수  
MAINTENANCE-FREE  
METRIC DIMENSION



JET · JETS



JET

JETS **STAINLESS STEEL**



| 축경<br>mm | 호칭번호<br>(Bearing No.) | 질량<br>(Mass)<br>gr. | 주요 치수 (Dimensions) mm |    |      |    |      |      |     | 요동각도<br>(Tilting angle)<br>a° | 정부하용량<br>(Basic Static Load Ratings)<br>Co<br>Kgf |
|----------|-----------------------|---------------------|-----------------------|----|------|----|------|------|-----|-------------------------------|---|
|          |                       |                     | d                     | D  | B    | B1 | d1   | Ø    | r   |                               |   |
| 5        | JET 5                 | 7                   | 5                     | 13 | 6    | 8  | 7.7  | 11.1 | 0.5 | 13                            | 400   |
|          | JETS 5                | 7                   | 5                     | 13 | 6    | 8  | 7.7  | 11.1 | 0.5 | 13                            | 400   |
| 6        | JET 6                 | 10                  | 6                     | 16 | 6.75 | 9  | 8.9  | 12.7 | 0.5 | 13                            | 510   |
|          | JETS 6                | 10                  | 6                     | 16 | 6.75 | 9  | 8.9  | 12.7 | 0.5 | 13                            | 510   |
| 8        | JET 8                 | 16                  | 8                     | 19 | 9    | 12 | 10.3 | 15.8 | 0.5 | 13                            | 860   |
|          | JETS 8                | 16                  | 8                     | 19 | 9    | 12 | 10.3 | 15.8 | 0.5 | 13                            | 860   |
| 10       | JET 10                | 31                  | 10                    | 22 | 10.5 | 14 | 12.9 | 19.0 | 0.5 | 13                            | 1,200   |
|          | JETS 10               | 31                  | 10                    | 22 | 10.5 | 14 | 12.9 | 19.0 | 0.5 | 13                            | 1,200   |
| 12       | JET 12                | 65                  | 12                    | 26 | 12   | 16 | 15.4 | 22.2 | 0.5 | 13                            | 1,600   |
|          | JETS 12               | 65                  | 12                    | 26 | 12   | 16 | 15.4 | 22.2 | 0.5 | 13                            | 1,600   |
| 14       | JET 14                | 90                  | 14                    | 29 | 13.5 | 19 | 16.8 | 25.4 | 0.5 | 15                            | 2,060   |
|          | JETS 14               | 90                  | 14                    | 29 | 13.5 | 19 | 16.8 | 25.4 | 0.5 | 15                            | 2,060   |
| 16       | JET 16                | 100                 | 16                    | 32 | 15   | 21 | 19.3 | 28.5 | 0.5 | 15                            | 2,570   |
|          | JETS 16               | 100                 | 16                    | 32 | 15   | 21 | 19.3 | 28.5 | 0.5 | 15                            | 2,570   |
| 18       | JET 18                | 125                 | 18                    | 35 | 16.5 | 23 | 21.8 | 31.7 | 0.5 | 15                            | 3,140   |
|          | JETS 18               | 125                 | 18                    | 35 | 16.5 | 23 | 21.8 | 31.7 | 0.5 | 15                            | 3,140   |
| 20       | JET 20                | 141                 | 20                    | 40 | 18   | 25 | 24.3 | 34.9 | 0.5 | 15                            | 3,770   |
|          | JETS 20               | 141                 | 20                    | 40 | 18   | 25 | 24.3 | 34.9 | 0.5 | 15                            | 3,770   |
| 22       | JET 22                | 169                 | 22                    | 42 | 20   | 28 | 25.8 | 38.1 | 0.5 | 15                            | 4,570   |
|          | JETS 22               | 169                 | 22                    | 42 | 20   | 28 | 25.8 | 38.1 | 0.5 | 15                            | 4,570   |
| 25       | JET 25                | 235                 | 25                    | 47 | 22   | 31 | 29.8 | 42.9 | 0.5 | 15                            | 5,740   |
|          | JETS 25               | 235                 | 25                    | 47 | 22   | 31 | 29.8 | 42.9 | 0.5 | 15                            | 5,740   |
| 30       | JET 30                | 360                 | 30                    | 55 | 25   | 37 | 36.2 | 50.4 | 0.5 | 15                            | 7,640   |
|          | JETS 30               | 360                 | 30                    | 55 | 25   | 37 | 36.2 | 50.4 | 0.5 | 15                            | 7,640   |