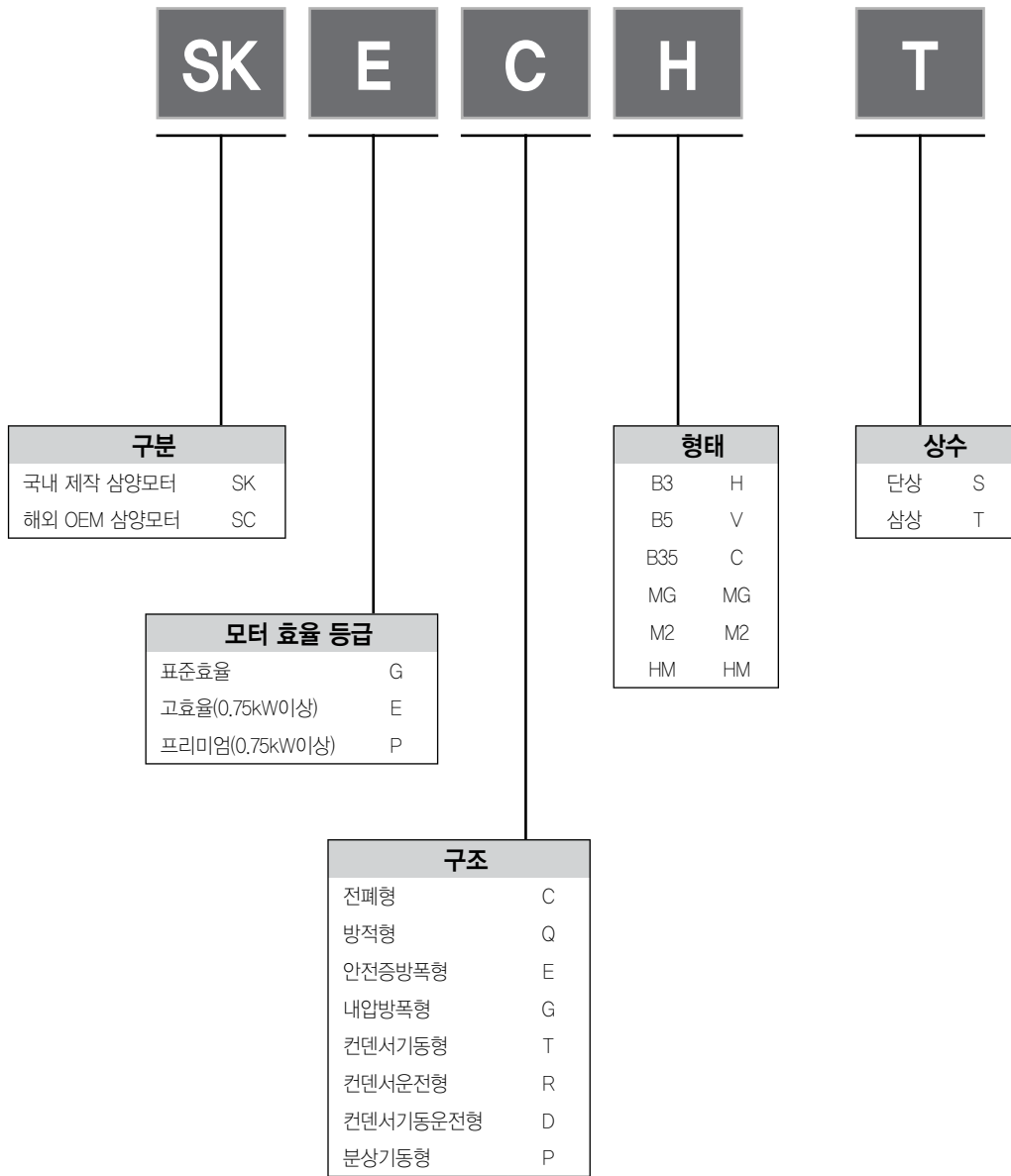


# 모델 형식 분류표 (Model Name)



EX) **SKECH-T1HPK4**

SK: 국내 제작 삼양모터	T: 삼상
E: 고효율	1HP: 1HP
C: 전폐형	K: 220/380V 60Hz
H: B3	4: 극

**B00**

**K**

**4**

**□**

출력		
0.2	1/4HP	002
0.4	1/2HP	004
0.75	1HP	1HP
1.5	2HP	015
2.2	3HP	022
3.7	5HP	037
5.5	7.5HP	055
7.5	10HP	075
11	15HP	110
15	20HP	150
18.5	25HP	185
22	30HP	220
30	40HP	300
37	50HP	370
45	60HP	450
55	75HP	550
75	100HP	750
90	120HP	900
110	150HP	A10
132	175HP	A32
160	215HP	A60
200	270HP	B00

전압-삼상			
V/Hz	50	60	50/60
220 ↓	F	C	J
380	Q	U	
400	M		
415	E		
440	R	V	
460		Y	
480		Z	
575 ↑		H	
200/346	D		A
200/380	T	K	X
200/440		N	
230/460		B	

전압-단상			
V/Hz	50	60	50/60
100	W	M	A
220	D	B	E
100/220	T	G	S
220/240	X	Y	Z
110-130	U	L	V
220-240	F	C	J

극수	
2P	2
4P	4
6P	6
8P	8

옵션 (주문사항)	
A	ACB
B	AGL
C	DCA
D	DCB
E	DCB24V
F	DCB90V
G	DCB190V
H	DCL

A	100kW
B	200kW

# 최저효율제에 적합한 전동기

## 적용 범위

국내 사용되는 0.75~375kW 2극, 4극, 6극, 8극 삼상 유도전동기

## 적용기준(표1 참조)

출 력 0.75~37kW 미만 : 고효율 (2018. 10. 1. 부터 프리미엄효율)

37 ~ 375kW 이하 : 프리미엄효율

## 관련규정

에너지이용 합리화법, 효율관리기자재 운용규정

(표1) 최저소비효율 기준 (%) – 산업통상자원부고시 (제2016-137호 기준)

정격 출력	보호형				전폐형			
	2극	4극	6극	8극	2극	4극	6극	8극
0.75kW	75.5	82.5	80	74	75.5	82.5	80	74
1.5kW	84	84	85.5	85.5	84	84	86.5	82.5
2.2kW	84	86.5	86.5	86.5	85.5	87.5	87.5	84
3.7kW	85.5	87.5	87.5	87.5	87.5	87.5	87.5	85.5
5.5kW	87.5	88.5	88.5	88.5	88.5	89.5	89.5	85.5
7.5kW	88.5	89.5	90.2	89.5	89.5	89.5	89.5	88.5
11kW	89.5	91	90.2	89.5	90.2	91	90.2	88.5
15kW	90.2	91	91	90.2	90.2	91	90.2	89.5
18.5kW	91	91.7	91.7	90.2	91	92.4	91.7	89.5
22kW	91	92.4	92.4	91	91	92.4	91.7	91
30kW	91.7	93	93	91	91.7	93	93	91
37kW	93	94.5	94.1	91.7	93	94.5	94.1	92.4
45kW	93.6	95	94.5	92.4	93.6	95	94.5	92.4
55kW	93.6	95	94.5	93.6	93.6	95.4	94.5	93.6
75kW	93.6	95.4	95	93.6	94.1	95.4	95	93.6
90kW	94.1	95.4	95	93.6	95	95.4	95	94.1
110kW	94.1	95.8	95.4	93.6	95	95.8	95.8	94.1
132kW	94.5	95.8	95.4	94.1	95.4	95.8	95.8	94.5
160kW	95	95.8	95.4	94.1	95.4	96.2	95.8	94.5
200kW	95	95.8	95.4	94.1	95.8	96.2	95.8	94.5
225kW	-	96.2	95.8	-	-	96.2	95.8	-
260kW	-	96.2	95.8	-	-	96.2	95.8	-
300kW	-	96.2	95.8	-	-	96.2	95.8	-
335kW	-	96.2	95.8	-	-	96.2	95.8	-
375kW	-	96.2	95.8	-	-	96.2	95.8	-

## 삼성 유도전동기 특성표 (60Hz 전폐형)

출력 (kW)	극수 (P)	프레임	정격 속도 (rpm)	효율		P.F. (%)	정격전류		토크			기동전류 (Is/In)
				고효율 (%)	프리미엄 효율 (%)		220V (A)	380V (A)	정격 (kg.m)	기동 (Ts/Tn)	최대 (TMAX/TN)	
0.2	2	63M	3420	63.0	-	79.0	1.0	0.6	0.06	2.0	2.3	4.0
	4	63M	1650	64.0	-	75.0	1.0	0.6	0.12	2.5	2.7	3.9
0.4	2	71M	3450	70.0	-	80.0	1.7	1.0	0.11	2.0	2.3	6.0
	4	71M	1700	73.0	-	68.0	2.1	1.2	0.23	2.4	2.5	4.7
	6	80M	1120	66.0	-	65.0	2.2	1.3	0.35	1.9	2.1	3.8
0.75	2	80M	3420	80.0	80.0	86.0	2.9	1.7	0.21	2.0	2.3	5.3
	4	80M	1720	83.0	83.5	77.0	3.2	1.8	0.42	2.8	3.0	7.3
	6	90L	1160	81.5	82.5	71.0	3.5	2.0	0.63	1.9	2.6	5.0
1.5	2	90L	3510	84.5	85.5	82.0	5.7	3.3	0.42	3.6	3.6	7.7
	4	90L	1720	84.0	86.5	79.0	5.9	3.4	0.85	2.6	2.7	8.3
	6	100L	1150	86.5	88.5	70.0	6.50	3.8	1.29	1.6	1.9	6.5
2.2	2	90L	3500	85.5	86.5	86.0	8.0	4.6	0.62	2.7	2.7	9.4
	4	100L	1740	87.5	89.5	76.0	8.7	5.0	1.23	2.9	2.9	3.0
	6	112M	1160	87.5	89.5	71.0	9.3	5.4	1.84	2.2	2.2	6.5
3.7	2	112M	3510	87.5	88.5	90.0	12.5	7.2	1.03	1.6	2.3	8.0
	4	112M	1740	88.0	89.5	81.0	13.5	7.8	2.07	2.3	2.5	6.9
	6	132S	1160	87.5	89.5	73.0	15.1	8.7	3.11	1.5	1.9	7.0
5.5	2	132S	3500	88.5	89.5	80.0	19.9	11.5	1.53	1.5	2.0	7.5
	4	132S	1760	89.5	91.7	77.0	21.0	12.1	3.04	1.6	2.0	7.5
	6	132M	1160	89.5	91.0	72.0	22.3	12.9	4.62	1.5	1.9	7.5
7.5	2	132S	3510	89.5	90.2	81.0	28.1	16.2	2.08	1.5	2.0	7.5
	4	132M	1760	89.5	91.7	78.0	28.1	16.2	4.15	1.6	2.0	7.5
	6	160M	1160	89.5	91.0	80.5	28.1	16.2	6.30	1.5	1.8	7.5
11	2	160M	3520	90.2	91.0	82.0	38.8	22.4	3.04	1.4	2.0	7.5
	4	160M	1760	91.0	92.4	79.0	39.0	22.5	6.09	1.5	2.0	7.5
	6	160L	1165	90.2	91.7	74.5	42.4	24.5	9.19	1.4	1.8	7.5
15	2	160M	3520	90.2	91.0	82.5	52.1	30.1	4.15	1.4	2.0	7.5
	4	160L	1765	91.0	93.0	79.5	53.7	31.0	8.28	1.5	2.0	7.5

- 0.2~0.4kW는 일반효율임.
- 프리미엄 효율은 별도 주문 생산입니다.

## 삼상 유도전동기 특성표 (60Hz 전폐형)

출력 (kW)	극수 (P)	프레임	정격 속도 (rpm)	효율 (%)		P.F (%)	정격전류			토크			기동전류 기동 (IS/IN)
				고효율 (%)	프리미엄 효율 (%)		220V (A)	380V (A)	440V (A)	정격 (kg.m)	기동 (TS/TN)	최대 (TMAX/TN)	
0.2	2	63M	3260	66.0	-	0.79	0.9	0.52	0.45	0.05	2.3	2.3	5.5
	4	63M	1580	62.0	-	0.72	1.22	0.7	0.61	0.11	2.3	2.3	5.5
	6	71M	1020	58.0	-	0.65	1.26	0.72	0.63	0.17	2.2	2.2	6
0.4	2	71M	3290	71.0	-	0.80	1.7	0.99	0.85	0.09	2.3	2.3	6
	4	71M	1600	68.0	-	0.74	2.4	1.4	1.2	0.22	2.3	2.3	6
	6	80M	1060	63.0	-	0.69	2.2	1.3	1.1	0.32	2.2	2.2	6
	8	90L	805	64.0	-	0.61	2.50	1.44	1.25	0.45	2	2.1	5
0.75	2	80M	3450	75.5	77.0	0.83	3.14	1.82	1.57	0.21	2.5	3	5.3
	4	80M	1690	82.5	83.5	0.76	3.14	1.82	1.57	0.43	2.4	2.4	7
	6	90L	1120	80.0	82.5	0.72	3.42	1.98	1.71	0.65	2.2	2.2	6.5
	8	100L	820	74.0	75.5	0.67	3.97	2.30	1.98	0.89	2	2.1	5.5
1.5	2	90L	3465	84.0	85.5	0.84	5.58	2.64	2.79	0.42	2.7	3.5	7.1
	4	90L	1720	84.0	86.5	0.77	6.09	2.63	3.04	0.84	2.4	2.4	7.2
	6	100L	1135	86.5	88.5	0.75	6.07	2.9	3.03	1.28	2.2	2.2	6.5
	8	112M	830	82.5	84.0	0.69	6.92	3.27	3.46	1.75	2	2.1	5.5
2.2	2	90L	3465	87.5	86.5	0.87	10.3	4.6	5.17	0.84	3.2	4	8
	4	100L	1730	87.5	89.5	0.82	11	4.72	5.49	1.68	2.3	2.3	7.5
	6	112M	1150	87.5	89.5	0.76	11.8	5.03	5.92	2.52	2.2	2.2	7
	8	132S	850	85.5	85.5	0.73	12.6	5.60	6.31	3.44	2	2.1	6
3.7	2	112M	3490	87.5	88.5	0.88	13.6	7.89	6.82	1.11	2.5	3	7.5
	4	112M	1740	87.5	89.5	0.82	14.6	8.47	7.32	2.23	2.3	2.3	7.5
	6	132S	1160	87.5	89.5	0.76	15.8	9.14	7.89	3.34	2.2	2.2	7
	8	160M	870	85.5	86.5	0.74	16.6	9.61	8.30	4.48	2	2.1	6.5
5.5	2	132S	3510	88.5	89.5	0.86	19	11	9.48	1.51	2.7	3.5	7.5
	4	132S	1745	89.5	91.7	0.83	19.4	11.2	9.72	3.05	2.3	2.3	7.5
	6	132M	1160	89.5	91.0	0.77	20.9	12.1	10.5	4.60	2.2	2.2	7
	8	160M	870	85.5	86.5	0.75	22.5	13.0	11.3	6.17	2	2.1	6.5
7.5	2	132S	3510	89.5	90.2	0.88	25	14.5	12.5	2.06	2.4	3.3	7.5
	4	132M	1745	89.5	91.7	0.84	26.2	15.2	13.1	4.16	2.3	2.3	7.5
	6	160M	1165	89.5	91.0	0.78	28.2	16.3	14.1	6.24	2.2	2.2	7.3
	8	160L	870	88.5	89.5	0.76	29.3	16.9	14.6	8.41	2	2.1	6.5
11	2	160M	3520	90.2	91.0	0.89	36	20.8	18	3.03	2.2	2.9	7.6
	4	160M	1755	91.0	92.4	0.84	37.8	21.9	18.9	6.08	2.3	2.3	8
	6	160L	1165	90.2	91.7	0.78	41	23.8	20.5	9.16	2.2	2.2	7.3
	8	180M	875	88.5	89.5	0.76	42.9	24.8	21.5	12.16	2	2.1	6.5
15	2	160M	3520	90.2	91.0	0.89	49	28.4	24.5	4.13	2.3	3	7.6
	4	160L	1755	91.0	93.0	0.85	50.9	29.5	25.4	8.29	2.3	2.3	8
	6	180M	1170	90.2	91.7	0.81	53.9	31.2	26.9	12.44	2.2	2.2	7.3
	8	180L	875	89.5	90.2	0.76	57.9	33.5	28.9	16.59	2	2.1	7

• 0.2~0.4kW는 일반효율임.

출력 (kW)	극수 (P)	프레임	정격 속도 (rpm)	효율 (%)		P.F (%)	정격전류			토크			기동전류 기동 (IS/IN)
				고효율 (%)	프리미엄 효율 (%)		220 (A)	380 (A)	440 (A)	정격 (kg.m)	기동 (TS/TN)	최대 (TMAX/TN)	
18.5	2	160L	3525	91.0	91.7	0.89	59.9	34.7	30	5.09	2.3	3.1	7.4
	4	180M	1760	92.4	93.6	0.86	61.1	35.4	30.5	10.16	2.3	2.3	8
	6	180L	1175	91.7	93.0	0.81	65.4	37.8	32.7	15.19	2.2	2.2	7.3
	8	200L	875	89.5	90.2	0.78	69.5	40.3	34.8	20.46	2	2.1	7
22	2	180M	3530	91.0	91.7	0.88	72.1	41.7	36	6.04	2.8	3.2	7.8
	4	180M	1760	92.4	93.6	0.86	72.7	42.1	36.3	12.03	2.3	2.3	8
	6	180L	1175	91.7	93.0	0.83	75.9	43.9	37.9	18.15	2.2	2.2	7.3
	8	200L	875	91.0	91.7	0.79	80.3	46.5	40.2	24.33	2	2.1	7
30	2	180L	3540	91.7	92.4	0.88	97.6	56.5	48.8	8.21	2.6	3	7.8
	4	180L	1760	93.0	94.1	0.86	98.4	57	49.2	16.52	2.3	2.3	7.5
	6	200L	1175	93.0	94.1	0.84	101	58.3	50.4	24.68	2.2	2.2	7.1
	8	225S	880	91.0	91.7	0.79	110	63.4	54.8	32.95	2	2.1	7
37	2	200L	3540	92.4	93.0	0.89	118	68.4	59	10.13	2.6	3	7.7
	4	200L	1770	93.0	94.5	0.87	120	69.5	60	20.19	2.3	2.3	7.5
	6	200L	1175	93.0	94.1	0.86	121	70.3	60.7	30.49	2.2	2.2	7.1
	8	250S	880	91.7	92.4	0.79	134	77.6	67.0	40.64	2	2.1	7
45	2	200L	3550	93.0	93.6	0.89	143	82.6	71.3	12.24	2.4	2.6	7.5
	4	200L	1770	93.6	95.0	0.87	145	84	72.5	24.58	2.3	2.3	7.6
	6	225S	1175	93.6	94.5	0.86	147	84.9	73.4	37.12	2.2	2.2	7.2
	8	250M	880	91.7	92.4	0.81	159	92.0	79.5	49.43	2	2.1	7
55	2	225S	3555	93.0	93.6	0.90	172	99.8	86.2	14.99	2.3	2.8	7.1
	4	225S	1770	94.1	95.4	0.87	176	102	88.2	29.98	2.3	2.3	7.6
	6	250S	1175	93.6	94.5	0.86	179	104	89.7	45.28	2.2	2.2	7.2
	8	280S	885	93.0	93.6	0.81	192	111	95.8	60.41	2	2.1	7
75	2	250S	3560	93.6	94.1	0.90	234	135	117	20.39	2.5	2.8	7.4
	4	250S	1770	94.5	95.4	0.87	240	139	120	40.89	2.3	2.3	7.5
	6	250M	1180	94.1	95.0	0.86	243	141	122	61.49	2.1	2.1	7
	8	280M	885	93.0	93.6	0.82	258	149	129	82.38	2	2.1	7
90	2	250M	3560	94.5	95.0	0.91	275	159	137	24.47	2.8	2.8	7.6
	4	250M	1770	94.5	95.4	0.87	288	166	144	49.05	2.3	2.3	7.5
	6	280S	1180	94.1	95.0	0.86	292	169	146	73.73	2.1	2.1	7
	8	315S	885	93.6	94.1	0.82	308	178	154	98.85	2	2.1	7
110	2	280S	3570	94.5	95.0	0.91	336	194	168	29.88	2.4	2.8	6.9
	4	280S	1780	95.0	95.8	0.88	345	200	173	59.76	2.2	2.2	7.5
	6	280M	1180	95.0	95.8	0.86	353	205	177	90.14	2.1	2.1	7
	8	315M	885	93.6	94.1	0.82	376	218	188	120.82	2	2.1	7
132	2	280M	3570	94.5	95.4	0.91	403	233	201	35.79	2.6	2.9	7.1
	4	280M	1780	95.0	95.8	0.88	414	240	207	71.79	2.2	2.2	7.5
	6	315S	1180	95.0	95.8	0.87	419	243	210	108.19	2.1	2.1	7
160	2	315S	3570	95.0	95.4	0.92	480	278	240	43.44	2.5	2.9	7.1
	4	315S	1780	95.0	96.2	0.89	498	288	249	86.98	2.2	2.2	7.5
	6	315M	1180	95.0	95.8	0.88	502	291	251	130.42	2.1	2.1	7
200	2	315M	3570	95.0	95.8	0.92	601	348	300	54.25	2.5	2.8	7.5
	4	315M	1780	95.0	96.2	0.89	622	359	311	108.70	2.2	2.2	7.5

• 200kW 초과는 별도 문의 바랍니다.

## 단상 유도전동기 (반폐형)

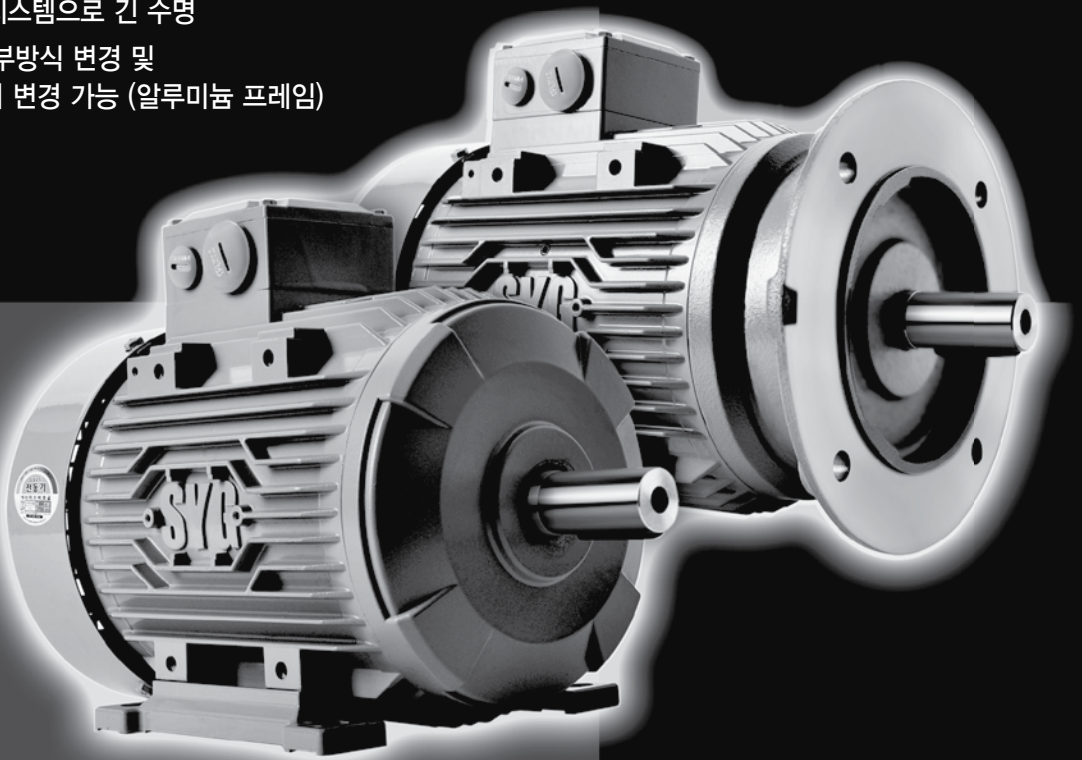
Single Phase Induction Motors (ODP)

## 삼상 유도전동기 (전폐형)

Three Phase Induction Motors (TEFC)

### 특징

- >> 최저 효율제 (고효율 - 삼상 0.75~15kW)
- >> 높은 기동 토크
- >> 소형 경량화 (알루미늄 프레임)
- >> 정밀 가공에 의한 저진동, 저소음
- >> 우수한 절연 시스템으로 긴 수명
- >> 수직, 수평 취부방식 변경 및  
단자박스 위치 변경 가능 (알루미늄 프레임)





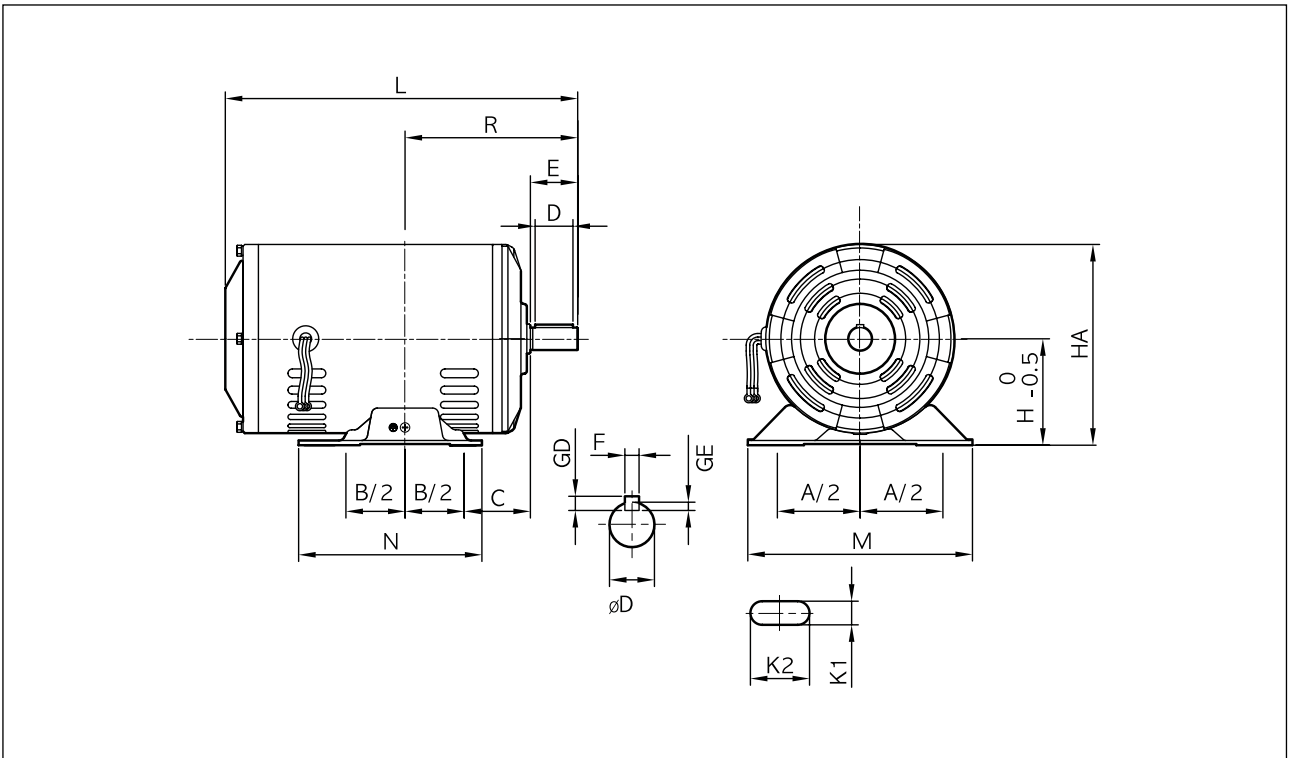
**SK**<sup>IEC</sup>**Series**



Single Phase Induction Motors (Open Drip Proof)

# SK<sup>IEC</sup> Series





■ 표준 사양 (Standard Specifications)

출력	전압	Phase	Hz	Pole	보호등급	절연계급
0.2kW ~ 1.5kW	220V 이하	1φ	60Hz	4	IP22	B, F

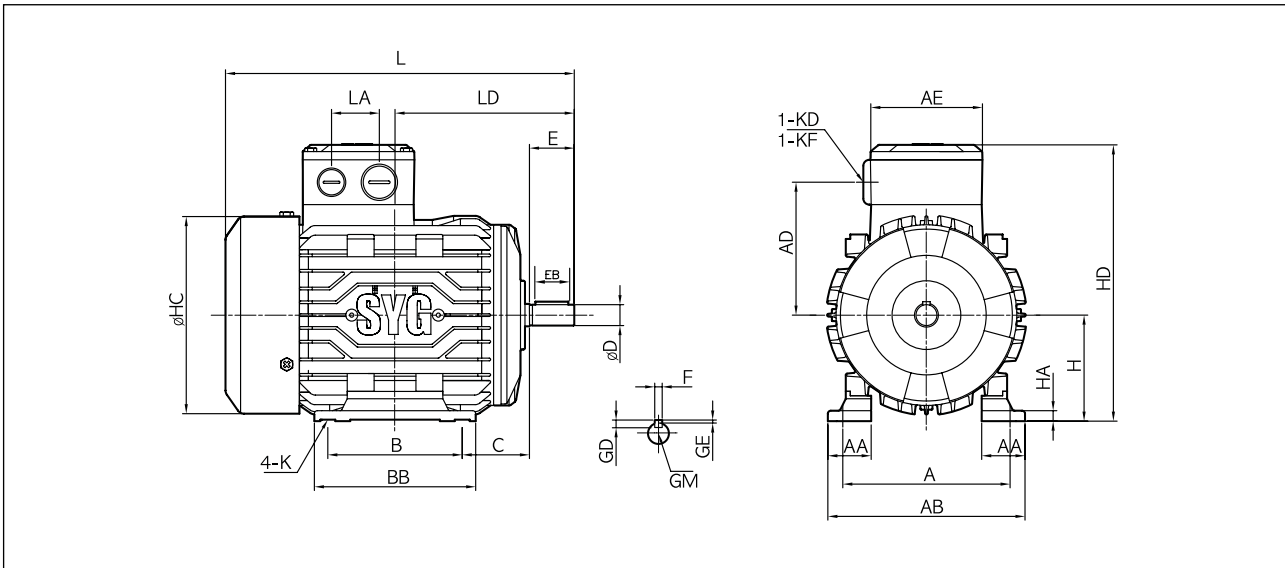
■ 외형치수 (Dimensions)

프레임	출력		극수	전동기 외형치수																		
				축치수							외형치수							베어링				
				φD	F	GD	GE	E	D	H	A/2	B/2	C	K1	K2	M	N	L	R	HA	부하축	반부하축
71	0.2	1/4	4극	14	5	5	3	30	22	71	56	45	45	7	18	150	110	237.5	120	136.6	6202zz	6202zz
90L	0.4	1/2		16	5	5	3	40	30	80	70	50	50	10	25	190	130	271.5	140	145.6	6204zz	6203zz
90L	0.75	1		19	6	6	3.5	40	32	90	70	62.5	56	10	25	190	155	286	146	169.8	6205zz	6203zz
112S	1.5	2		24	8	8	4	50	40	112	95	70	70	12	18	224	165	352.5	177	212.2	6206zz	6204zz

- 적용공차 (1) D : φ280이하 j6, φ480이하 k6 (2) 키홈 : n9
- 적용규격 KS C 4202-2009 동일적용

# 알루미늄 프레임 삼상 유도전동기 [전폐형] - 수평형

## Aluminum Frame Three Phase Induction Motors(TEFC) – B3 Type



### ■ 표준 사양 (Standard Specifications)

출력	전압	Phase	Hz	보호등급	절연계급
0.2kW ~ 3.7kW	500V 이하	3φ	60(50)Hz	IP54, 55	B, F

### ■ 외형치수 (Dimensions)

단위 (mm, kg)

프레임	출력 (kW)			A	AA	AB	φHC	AE	B	BB	C	H		HA	중량
	2P	4P	6P												
63M	0.2	0.2	-	100	30	120	114	75	80	98	40	63	<sup>0</sup> <sub>-0.5</sub>	7	4.6
71M	0.4	0.4	-	112	31	136	132	75	90	108	45	71	<sup>0</sup> <sub>-0.5</sub>	7	6.9
80M	0.75	0.75	0.4	125	34	150	158	75	100	120	50	80	<sup>0</sup> <sub>-0.5</sub>	8	10.9
90L	1.5 2.2	1.5	0.75	140	33.5	171	178	75	125	148	56	90	<sup>0</sup> <sub>-0.5</sub>	10	16.9
100L	-	2.2	1.5	160	52	204	196.4	120	140	176	63	100	<sup>0</sup> <sub>-0.5</sub>	14	24.5
112L	3.7	3.7	2.2	190	52	228	238.4	120	140	176	70	112	<sup>0</sup> <sub>-0.5</sub>	14	31.4

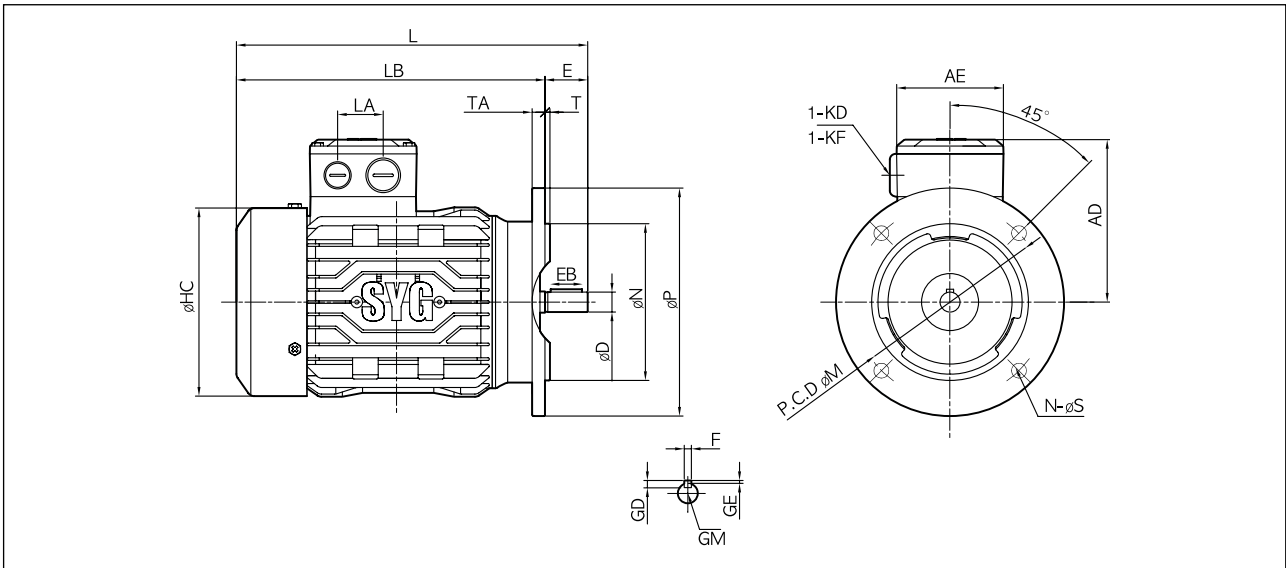
- 적용공차 (1) D : φ280이하 j6, φ480이하 k6, φ550이하 m6 (2) 키홈 : n9
- 적용규격 KS C 4202-2009 동일적용

단위 (mm)

AD	HD	L	LA	LD	K	φKD φKF	베어링		φD	E	EB	F	GD	GE	GM (TAP)
							부하측	반부하측							
79	167	200.0	32	103	7	M25 x P1.5 M16 x P1.5	6202zz	6202zz	11j6	23	16	4	4	2.5	M4
89	185	233.5	32	120	7	M25 x P1.5 M16 x P1.5	6202zz	6202zz	14j6	30	25	5	5	3	M5
99	204	269	32	140	10	M25 x P1.5 M16 x P1.5	6204zz	6203zz	19j6	40	30	6	6	3.5	M6
109	218	313.5	32	168.5	10	M25 x P1.5 M16 x P1.5	6205zz	6204zz	24j6	50	40	8	7	4	M8
95.5	248.5	360.5	42	193	12	M32 x P1.5	6206zz	6205zz	28j6	60	50	8	7	4	M10
110.5	275.5	363	42	200	12	M32 x P1.5	6206zz	6205zz	28j6	60	50	8	7	4	M10

# 알루미늄 프레임 삼상 유도전동기 [전폐형] - 수직형

## Aluminum Frame Three Phase Induction Motors(TEFC) – B5 Type



### ■ 표준 사양 (Standard Specifications)

출력	전압	Phase	Hz	보호등급	절연계급
0.2kW ~ 3.7kW	500V 이하	3φ	60(50)Hz	IP54, 55	B, F

### ■ 외형치수 (Dimensions)

단위 (mm, kg)

프레임	IEC 플랜지번호	출력 (kW)			HC	AD	L	LB	φM	φN	φP	LA	TA	T	중량
		2P	4P	6P											
63M	FF115	0.2	0.2	-	114	104	198.5	175.5	115	95	140	32	8	3	4.6
71M	FF130	0.4	0.4	-	132	114	245	215	130	110	160	32	9	3.5	7.0
80M	FF165	0.75	0.75	0.4	158	124	269	229	165	130	200	32	10	3.5	11.0
90L	FF165	1.5 2.2	1.5	0.75	178	128	332	290	165	130	200	32	10	3.5	18.6
100L	FF215	-	2.2	1.5	196.4	148.5	360.5	300.5	215	180	250	42	11	4	26.5
112L	FF215	3.7	3.7	2.2	238.4	163.5	390	330	215	180	250	42	11	4	34.4

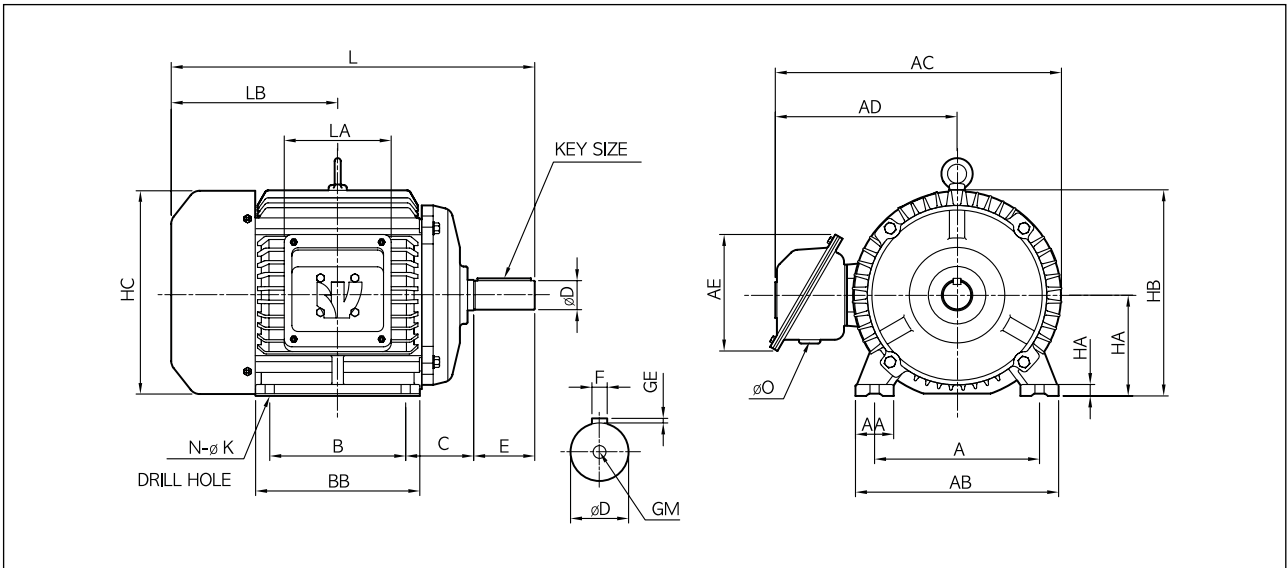
- 적용공차 (1) D : φ280이하 j6, φ480이하 k6 (2) 키홈 : n9
- 적용규격 KS C 4202-2009 동일적용

단위 (mm)

φKD φKF	베어링		N	φS	φD	E	EB	F	GD	GE	GM (TAP)
	부하측	반부하측									
M25 x P1.5 M16 x P1.5	6202zz	6202zz	4	10	11j6	23	16	4	4	2.5	M4
M25 x P1.5 M16 x P1.5	6202zz	6202zz	4	10	14j6	30	25	5	5	3	M5
M25 x P1.5 M16 x P1.5	6204zz	6203zz	4	12	19j6	40	30	6	6	3.5	M6
M25 x P1.5 M16 x P1.5	6205zz	6204zz	4	12	24j6	50	40	8	7	4	M8
M32 x P1.5	6206zz	6205zz	4	15	28j6	60	50	8	7	4	M10
M32 x P1.5	6206zz	6205zz	4	15	28j6	60	50	8	7	4	M10

# 주물 프레임 삼상 유도전동기 [전폐형] - 수평형

## Cast Iron Frame Three Phase Induction Motors(TEFC) – B3 Type



### ■ 표준 사양 (Standard Specifications)

출력	전압	Phase	Hz	보호등급	절연계급
5.5kW ~ 15kW	500V 이하	3φ	60(50)Hz	IP54, 55	B, F

### ■ 외형치수 (Dimensions)

단위 (mm)

프레임	출력 (kW)			AC	H	HB	HC	L	LB	øD	E	F	GE	GM (TAP)	KEY SIZE (W×H×L)
	2P	4P	6P												
132S	5.5 7.5	5.5	3.7	375	132	270	278.4	438	199	38	80	10	3	M12	10×8×70
132M	-	7.5	5.5	375	132	270	278.4	476	218	38	80	10	3	M12	10×8×70
160M	11 15	11	7.5	405	160	315	313	615	270	42	110	12	3	M16	12×8×78
160L	-	15	11	405	160	315	313	615	270	42	110	12	3	M16	12×8×78

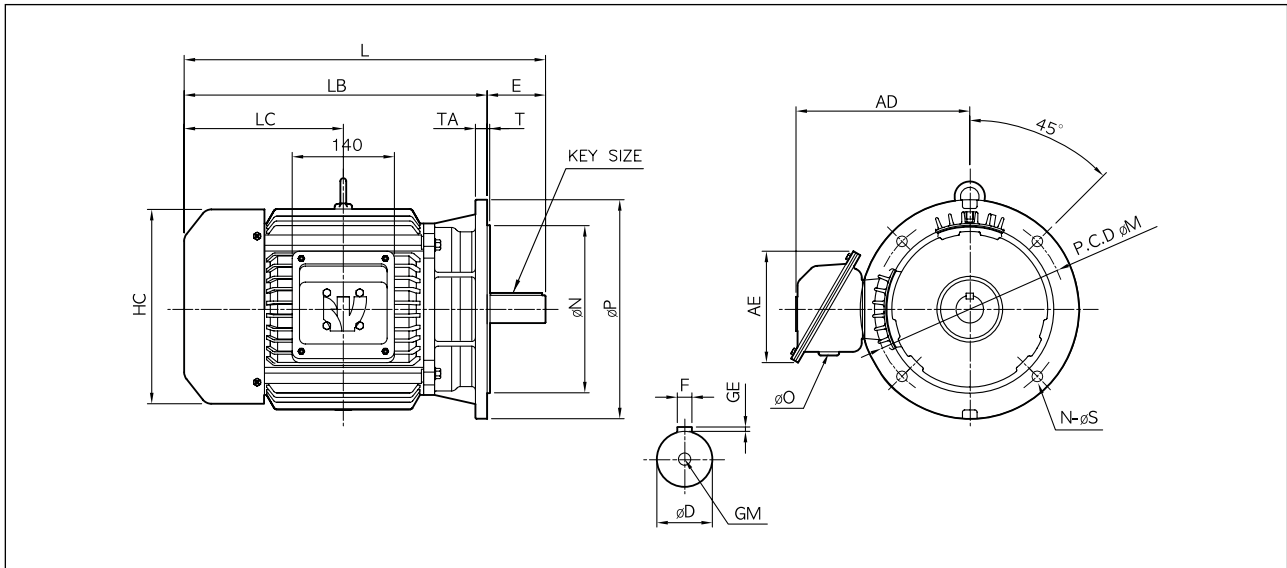
- 적용공차 (1) D : ø280이하 j6, ø480이하 k6, (2) 키홈 : n9 (3) H : 0, -0.5
- 적용규격 KS C 4202-2009 동일적용

단위 (mm)

프레임	출력 (kW)			A	AA	AB	HA	B	BB	C	N	AD	AE	LA	øO
	2P	4P	6P												
132S	5.5 7.5	5.5	3.7	216	50	266	15	140	177	89	4	238	155	140	28
132M	-	7.5	5.5	216	50	266	15	178	215	89	4	238	155	140	28
160M	11 15	11	7.5	254	55	309	18	210	300	108	4	274	155	140	32
160L	-	15	11	254	55	309	18	254	300	108	4	274	155	140	32

# 주물 프레임 삼상 유도전동기 [전폐형] - 수직형

## Cast Iron Frame Three Phase Induction Motors (TEFC) – B5 Type



### ■ 표준 사양 (Standard Specifications)

출력	전압	Phase	Hz	보호등급	절연계급
5.5kW ~ 15kW	500V 이하	3φ	60(50)Hz	IP54, 55	B, F

### ■ 외형치수 (Dimensions)

단위 (mm)

프레임	IEC 플랜지번호	출력 (kW)			HC	L	LB	LC	φD	E	F	GE	GM (TAP)	KEY SIZE (W×H×L)
		2P	4P	6P										
132S	F265	5.5 7.5	5.5	3.7	273.4	457	377	199	38	80	10	3	M12	10×8×70
132M	F265	-	7.5	5.5	273.4	495	415	218	38	80	10	3	M12	10×8×70
160M	F300	11 15	11	7.5	11	614	505	270	42	110	12	3	M16	12×8×78
160L	F300	-	15	11	15	614	505	270	42	110	12	3	M16	12×8×78

- 적용공차 (1) D : φ280이하 j6, φ480이하 k6, (2) 키홈 : n9
- 적용규격 KS C 4202-2009 동일적용

단위 (mm)

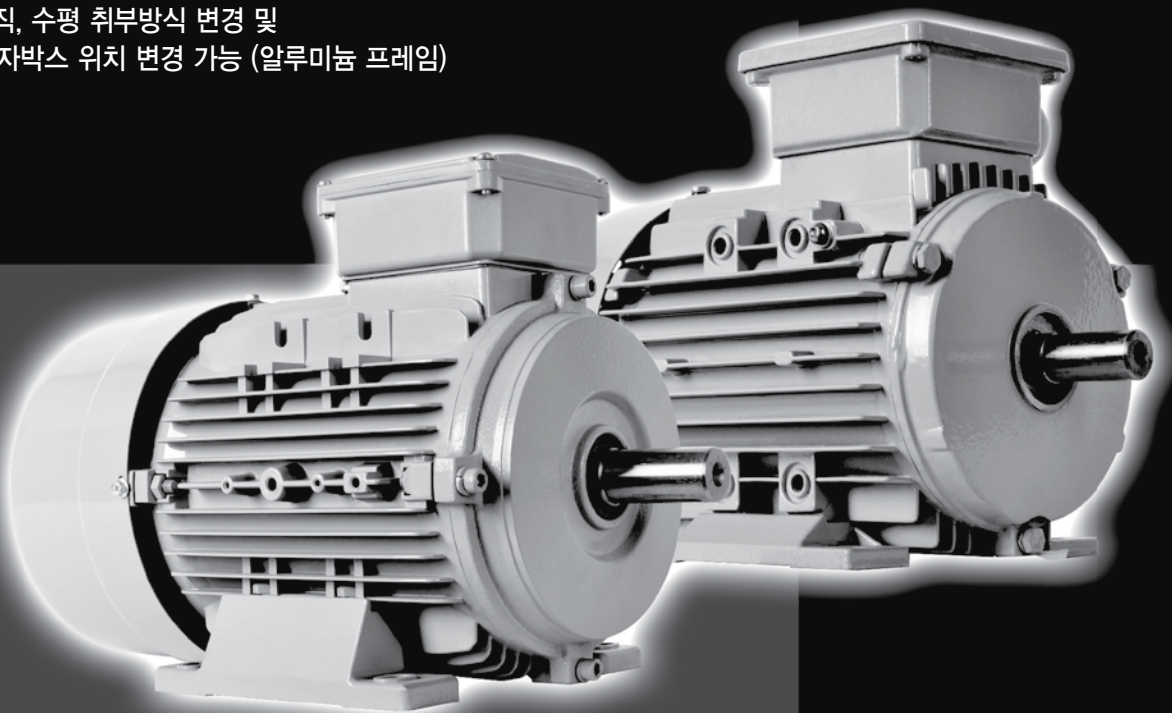
프레임	IEC 플랜지번호	φM	φN	P	N	S	TA	T	AD	AE	LA	φO
132S	F265	265	230	300	4	15	16	4	238	155	140	28
132M	F265	265	230	300	4	15	16	4	238	155	140	28
160M	F300	300	250	350	4	19	20	5	274	155	140	32
160L	F300	300	250	350	4	19	20	5	274	155	140	32

## 삼성 유도전동기 (전폐형)

Three Phase Induction Motors (TEFC)

### 특징

- ≫ 최저 효율제 (고효율 - 삼성 0.75~37kW 미만, 프리미엄효율 - 삼성 37kW 이상)
- ≫ 높은 기동 토크
- ≫ 소형 경량화 (알루미늄 프레임)
- ≫ 정밀 가공에 의한 저진동, 저소음
- ≫ 우수한 절연 시스템으로 긴 수명
- ≫ 수직, 수평 취부방식 변경 및 단자박스 위치 변경 가능 (알루미늄 프레임)





[ SC<sup>IEC</sup> Series ]



## Aluminum Frame Three Phase Induction Motors(TEFC) – B3 Type



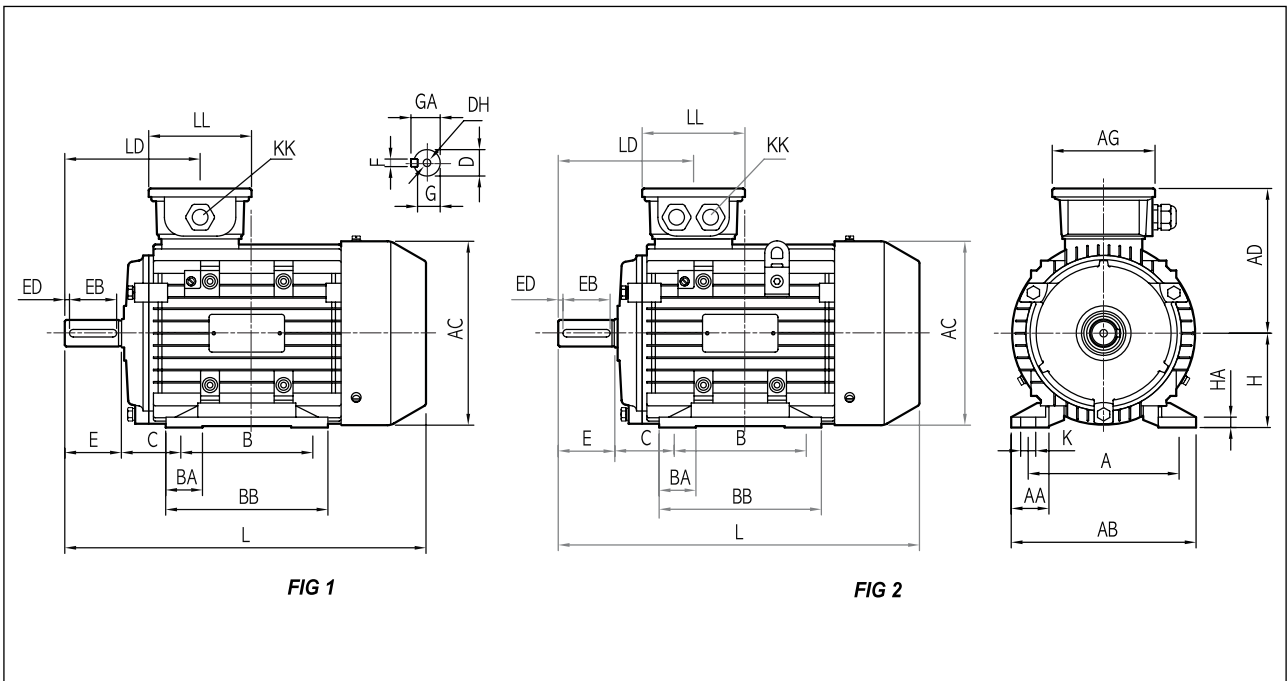
### ■ 표준사양 (Standard Specifications)

출력	전압	Phase	Hz	보호등급	절연계급
0.2kW ~ 18.5kW	500V 이하	3φ	60(50)Hz	IP54, 55	F

### ■ 외형치수 (Dimensions)

FRAME	출력 (kW)				FIG NO.	A	AA	AB	AC	AD	AG	B	BA	BB	C	D
	2P	4P	6P	8P												
63	0.2	0.2	-	-	1	100	24	123	120	103	99	80	23.5	100	40	11
71	0.4	0.4	0.2	-		112	26	138	136	112	99	90	26	110	45	14
80	0.75	0.75	0.4	0.2		125	35	157	155	125	99	100	31.5	125	50	19
90L	1.5 2.2	1.5	0.75	0.4		140	37	173	175	138	109	125	32.5	150	56	24
100L	-	2.2	1.5	0.75		160	40	196	195	152	109	140	39	172	63	28
112M	3.7	3.7	2.2	1.5	2	190	41	227	219	169	118.5	140	43	180	70	28
132S	5.5 7.5	5.5	3.7	2.2		216	51	262	258	188	118.5	140	46	186	89	38
132M	-	7.5	5.5	3.7		216	51	262	258	188	118.5	178	46	224	89	38
160M	11 15	11	7.5	3.7 5.5		254	55	304	314	237	160.5	210	50	260	108	42
160L	18.5	15	11	7.5		254	55	304	315	237	160.5	254	50	304	108	42

1. 적용공차 (1) D : ø280이하 j6, ø480이하 k6, (2) 키홈 : n9 (3) H : 0, -0.5
2. 적용규격 KS C 4202-2009 동일적용



단위 (mm)

DH (TAP)	E	EB	ED	F	G	GA	H	HA	K	KK	L	LD	LL	Weight(kg)		
														2P	4P	6P
M4X12	23	16	3.5	4	8.5	12.5	63	7	7X9.5	1-M20X1.5	217	95.5	99	4.8	5	-
M5X12	30	25	2.5	5	11	16	71	8	7X11	1-M20X1.5	245	110.5	99	6.7	7	7.2
M6X16	40	30	5	6	15.5	21.5	80	9	10X14	1-M20X1.5	286	118	99	11.7	12	12.5
M8X19	50	40	5	8	20	27	90	10	10X14	1-M20X1.5	335	136	109	19 21	22	23
M10X22	60	50	5	8	24	31	100	11	12X16	1-M25X1.5	383	143.5	109	-	29	36
M10X22	60	50	5	8	24	31	112	12	12X16	2-M25X1.5	401	151.5	118.5	31	32	42
M12X28	80	65	7.5	10	33	41	132	15	12X16	2-M32X1.5	475	180	118.5	46 49	47	65
M12X28	80	65	7.5	10	33	41	132	15	12X16	2-M32X1.5	513	180	118.5	-	53	78
M16X36	110	90	10	12	37	47	160	18	15X18	2-M40X1.5	609	266	155	98 109	96	110
M16X36	110	90	10	12	37	47	160	18	15X18	2-M40X1.5	653	266	155	134	105	130

## Aluminum Frame Three Phase Induction Motors(TEFC) – B5 Type



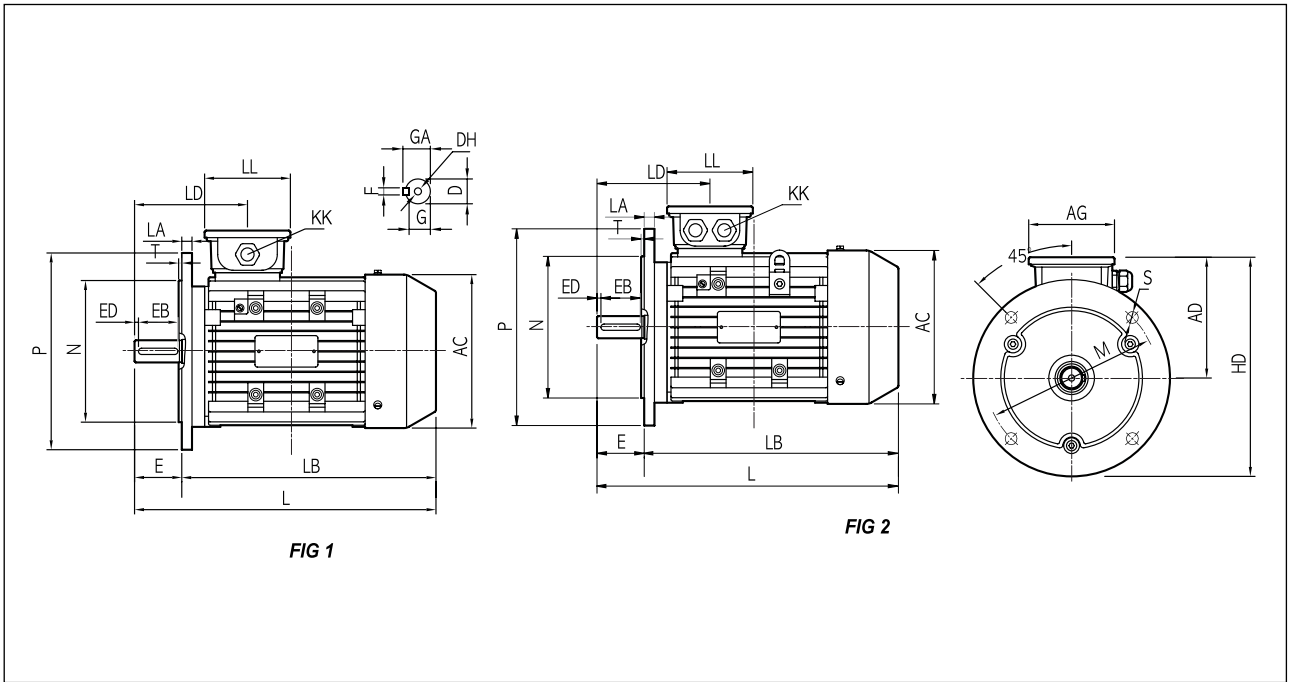
### ■ 표준사양 (Standard Specifications)

출력	전압	Phase	Hz	보호등급	절연계급
0.2kW ~ 18.5kW	500V 이하	3φ	60(50)Hz	IP54, 55	F

### ■ 외형치수 (Dimensions)

FRAME	출력 (kW)				FIG NO.	AC	AD	AG	D	DH (TAP)	E	EB	ED	F	G
	2P	4P	6P	8P											
63M	0.2	0.2	-	-	1	120	103	99	11	M4X16	23	16	3.5	4	8.5
71M	0.4	0.4	0.2	-		136	112	99	14	M5X12	30	25	2.5	5	11
80M	0.75	0.75	0.4	0.2		155	125	99	19	M6X16	40	30	5	6	15.5
90L	1.5 2.2	1.5	0.75	0.4		175	138	109	24	M8X19	50	40	5	8	20
100L	-	2.2	1.5	0.75	2	195	152	109	28	M10X22	60	50	5	8	24
112M	3.7	3.7	2.2	1.5		219	169	118.5	28	M10X22	60	50	5	8	24
132S	5.5 7.5	5.5	3.7	2.2		258	188	118.5	38	M12X28	80	65	7.5	10	33
132M	-	7.5	5.5	3.7		258	188	118.5	38	M12X28	80	65	7.5	10	33
160M	11 15	11	7.5	3.7 5.5		314	237	160.5	42	M16X36	110	90	10	12	37
160L	18.5	15	11	7.5		314	237	160.5	42	M16X36	110	90	10	12	37

- 적용공차 (1) D :  $\phi 280$ 이하 j6,  $\phi 480$ 이하 k6, (2) 키홈 : n9 (3) H : 0, -0.5
- 적용규격 KS C 4202-2009 동일적용



단위 (mm)

GA	HD	KK	L	LA	LB	LD	LL	M	N	P	S	T	Weight(kg)		
													2P	4P	6P
12.5	173	1-M20X1.5	217	10	194	95.5	99	115	95	140	10	3	4.8	5	-
16	192	1-M20X1.5	245	10	215	110.5	99	130	110	160	10	3.5	6.7	7	7.2
21.5	225	1-M20X1.5	286	12	246	118	99	165	130	200	12	3.5	11.7	12	12.5
27	238	1-M25X1.5	335	12	285	136	109	165	130	200	12	3.5	19 21	22	23
31	277	1-M25X1.5	383	13	323	144	109	215	180	250	15	4	-	29	36
31	294	2-M25X1.5	401	14	341	151.5	118.5	215	180	250	15	4	31	32	42
41	338	2-M32X1.5	475	14	395	180	118.5	265	230	300	15	4	46 49	47	65
41	338	2-M32X1.5	513	14	433	180	118.5	265	230	300	15	4	-	53	78
47	412	2-M40X1.5	609	15	499	266	155	300	250	350	19	5	98 109	96	110
47	412	2-M40X1.5	653	15	543	266	155	300	250	350	19	5	134	105	130

## Cast Iron Frame Three Phase Induction Motors(TEFC) – B3 Type

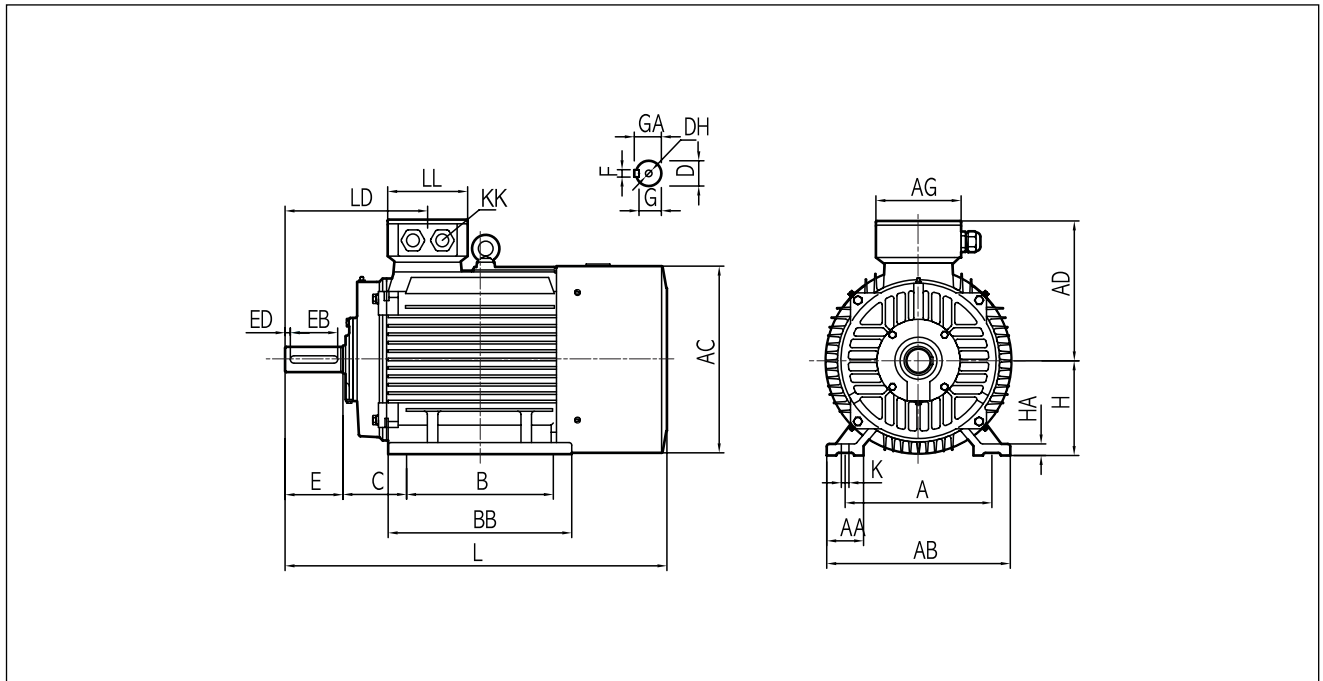
### ■ 표준 사양 (Standard Specifications)

출력	전압	Phase	Hz	보호등급	절연계급
0.2kW ~ 200kW	500V 이하	3φ	60(50)Hz	IP54, 55	F

### ■ 외형치수 (Dimensions)

FRAME	출력 (kW)				A	AA	AB	AC	AD	AG	B	BB	C	D
	2P	4P	6P	8P										
63M	0.2	0.2	-	-	100	30	130	120	117	88	80	110	40	11
71L	0.4	0.4	-	-	112	32	144	136	124	88	90	120	45	14
80M	0.75	0.75	0.4	-	125	34	160	155.4	130	94	100	130	50	19
90L	1.5 2.2	1.5	0.75	-	140	36	174	175	150.5	102	125	155	56	24
100L	-	2.2	1.5	-	160	40	200	195	164.5	102	140	176	63	28
112M	3.7	3.7	2.2	-	190	45	226	219	183	118	140	180	70	28
132S	5.5 7.5	5.5	3.7	-	216	55	262	258.4	203	118	140	200	89	38
132M	-	7.5	5.5	-	216	55	262	258.4	203	118	178	238	89	38
160M	11 15	11	7.5	-	254	65	319	314	250	162	210	260	108	42
160L	18.5	15	11	-	254	65	319	314	250	162	254	304	108	42
180M	22	-	-	-	279	70	349	355	266	162	241	311	121	48
	-	18.5 22	15	11										
180L	30	-	-	-	279	70	349	355	269	162	279	325	121	55
	-	30	18.5 22	15										
200L	37 45	-	-	-	318	70	388	397	300	210	305	369	133	55
	-	37 45	30 37	18.5 22					302					60
225S	55 -	55	45	30	356	75	435	445 460	325	210	286	393	149	55 65
250S	75 -	75	55	37	406	80	484	485	363	213.2	311	421	168	55 75
250M	90 -	90	75	45	406	80	484	485	363	213.2	349	459	168	55 75
280S	110 -	110	90	55	457	85	542	547	394	248	368	478	190	55 85
280M	132 -	132	110	75	457	85	542	547	394	248	419	529	190	55 85
315S	160 -	160	132	90	508	120	628	620	527	320	406	570	216	75 95
315M	200 -	200	160	110	508	120	628	620	527	320	457	680	216	75 95

- 적용공차 (1) D :  $\varnothing$ 280이하 j6,  $\varnothing$ 480이하 k6,  $\varnothing$ 550이상 m6 (2) 키홈 : n9 (3) H : 0, -0.5
- 적용규격 KS C 4202-2009 동일적용
- \* 는 별도 문의 바랍니다.



단위 (mm)

DH (TAP)	E	EB	ED	F	G	GA	H	HA	K	KK	L	LD	LL	Weight(kg)		
														2P	4P	6P
M4X12	23	16	3.5	4	8.5	12.5	63	8	4-φ7	1-M20X1.5	216.5	83	88	4.8	5	-
M5X12	30	25	2.5	5	11	16	71	8	4-φ7	1-M20X1.5	241.5	101	88	6.7	7	7.2
M6X16	40	30	5	6	15.5	21.5	80	10	4-φ10	1-M20X1.5	284	112	94	11.7	12	12.5
M8X19	50	40	5	8	20	27	90	12	4-φ10	1-M25X1.5	333	132	96	19 21	22	23
M10X22	60	50	5	8	24	31	100	14	4-φ12	1-M25X1.5	380	139.5	96	-	29	36
M10X22	60	50	5	8	24	31	112	15	4-φ12	2-M32X1.5	394	147	110	31	32	42
M12X28	80	65	7.5	10	33	41	132	18	4-φ12	2-M32X1.5	470	172	110	46 49	47	65
M12X28	80	65	7.5	10	33	41	132	18	4-φ12	2-M32X1.5	508	172	110	-	53	78
M16X36	110	90	10	12	37	45	160	20	4-φ15	2-M40X1.5	608	256	152	98 109	96	110
M16X36	110	90	10	12	37	45	160	20	4-φ15	2-M40X1.5	652	256	152	134	105	130
M16X36	110	90	10	14	42.5	51.5	180	22	4-φ15	2-M40X1.5	688	271	152	158	-	-
M16X36	110	90	10	14	42.5	51.5	180	22	4-φ15	2-M40X1.5	688	271	152	-	164 171	160
M20X42	110	90	10	16	49	59	180	22	4-φ15	2-M40X1.5	764	271	152	204	-	-
M20X42	110	90	10	16	49	59	180	22	4-φ15	2-M40X1.5	764	271	152	-	295	191 205
M20X42	110	100	5	16	49	59	200	25	4-φ19	2-M50X1.5	771	296	190	249 280	-	-
M20X42	140	125	7.5	18	53	64	200	25	4-φ19	2-M50X1.5	887	326	190	-	258 280	279 303
M20X42	110	100	5	16	49	59	225	28	4-φ19	2-M50X1.5	855	300	188	334	388	360
M20X42	140	125	7.5	18	53	64	225	28	4-φ19	2-M50X1.5	855	329	188	-	388	360
M20X42	110	100	5	16	49	59	250	30	4-φ24	2-M63X1.5	951	320	213.2	437	495	465
M20X42	140	125	7.5	20	67.5	79.5	250	30	4-φ24	2-M63X1.5	981	350	213.2	-	495	465
M20X42	110	100	5	16	49	59	250	30	4-φ24	2-M63X1.5	1001	320	213.2	583	606	603
M20X42	140	125	7.5	20	67.5	79.5	250	30	4-φ24	2-M63X1.5	1031	350	213.2	-	606	603
M20X42	110	100	5	16	49	59	280	38	4-φ24	2-M63X1.5	1086	328	218	890	910	905
M20X42	170	160	5	22	76	90	280	38	4-φ24	2-M63X1.5	1146	388	218	-	910	905
M20X42	110	100	5	16	49	59	280	38	4-φ24	2-M63X1.5	1137	328	218	980	1000	1030
M20X42	170	160	5	22	76	90	280	38	4-φ24	2-M63X1.5	1197	388	218	-	1000	1030
M20X42	140	125	7.5	20	67.5	79.5	315	45	4-φ28	2-M63X1.5	1180	400	280	1050	1055	1075
M20X42	170	160	5	25	86	100	315	45	4-φ28	2-M63X1.5	1210	430	280	-	1055	1075
M20X42	140	125	7.5	20	67.5	79.5	315	45	4-φ28	2-M63X1.5	1290	400	280	1110	-	-
M20X42	170	160	5	25	86	100	315	45	4-φ28	2-M63X1.5	1320	430	280	-	1128	1140

# 주물 프레임 삼상 유도전동기 [전폐형] - 수직형

## Cast Iron Frame Three Phase Induction Motors(TEFC) – B5 Type

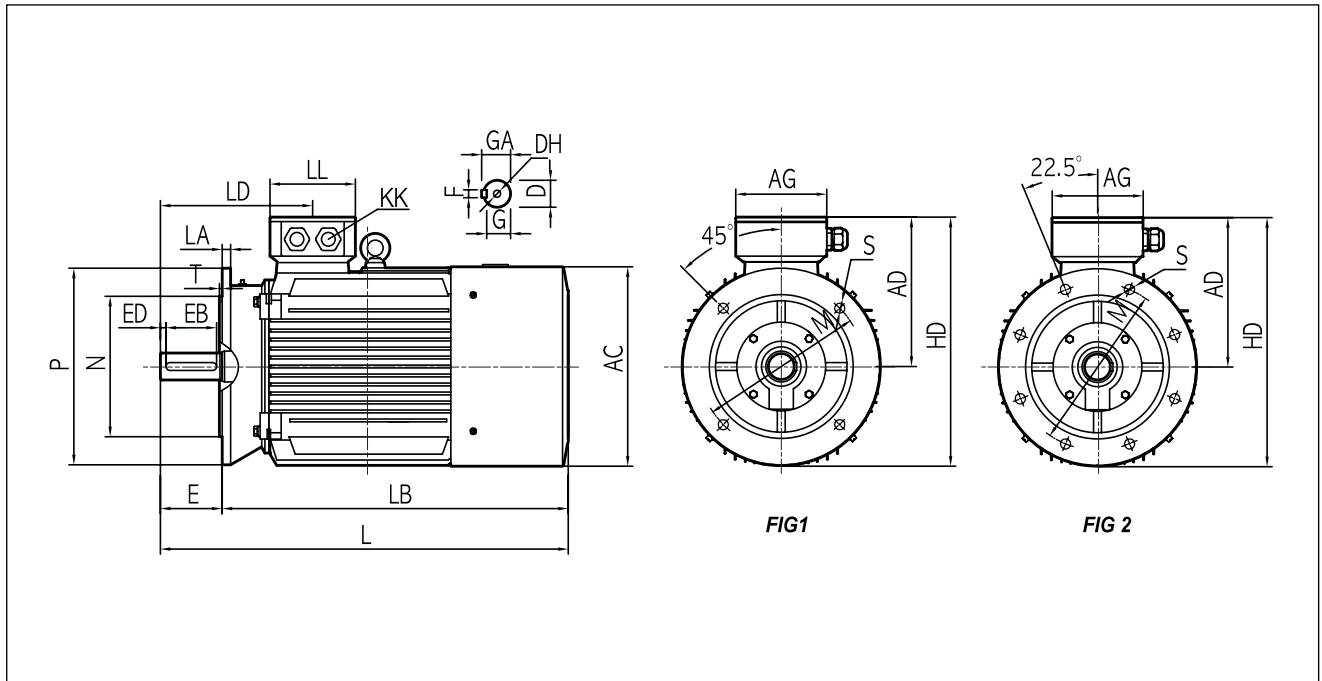
### ■ 표준 사양 (Standard Specifications)

출력	전압	Phase	Hz	보호등급	절연계급
0.2kW ~ 200kW	500V 이하	3φ	60(50)Hz	IP54, 55	F

### ■ 외형치수 (Dimensions)

FRAME	출력 (kW)				FLG NO.	AC	AD	AG	D	DH (TAP)	E	EB	ED	F	
	2P	4P	6P	8P											
63M	0.2	0.2	-	-	1	120	117	88	11	M4X12	23	16	3.5	4	
71L	0.4	0.4	-	-		136	124	88	14	M5X12	30	25	2.5	5	
80M	0.75	0.75	0.4	-		155.4	130	94	19	M6X16	40	30	5	6	
90L	1.5 2.2	1.5	0.75	-		175	150.5	102	24	M8X19	50	40	5	8	
100L	-	2.2	1.5	-		195	164.5	102	28	M10X22	60	50	5	8	
112M	3.7	3.7	2.2	-		219	183	118	28	M10X22	60	50	5	8	
132S	5.5 7.5	5.5	3.7	-		258.4	203	118	38	M12X28	80	65	7.5	10	
132M	-	7.5	5.5	-		258.4	203	118	38	M12X28	80	65	7.5	10	
160M	11 15	11	7.5	-		314	250	162	42	M16X36	110	90	10	12	
160L	18.5	15	11	-		314	250	162	42	M16X36	110	90	10	12	
180M	22	-	-	-	1	355	270	162	48	M16X36	110	90	10	14	
	-	18.5 22	15	11											
180L	30	-	-	-		355	269	162	55	M20X42	110	90	10	16	
	-	30	18.5 22	15											
200L	37 45	-	-	-		397	304	210	55 60	M20X42	110 140	100 125	5 7.5	16 18	
	-	37 45	30 37	18.5 22											
225S	55	55	45	30		2	460	322	210	55 65	M20X42	110 140	100 125	5 7.5	16 18
250S	75	75	55	37			485	363	213.2	55 75	M20X42	110 140	100 125	5 7.5	16 20
250M	90	90	75	45			485	363	213.2	55 75	M20X42	110 140	100 125	5 7.5	16 20
280S	110	110	90	55			550	394	248	55 85	M20X42	110 170	100 160	5 5	16 22
280M	132	132	110	75	550		394	248	55 85	M20X42	110 170	100 160	5 5	16 22	
315S	160	160	132	90	620		527	320	75 95	M20X42	140 170	125 160	7.5 5	20 25	
315M	200	200	160	110	620		527	320	75 95	M20X42	140 170	125 160	7.5 5	20 25	
	-	-	-	-											

- 적용공차 (1) D :  $\phi 280$ 이하 j6,  $\phi 480$ 이하 k6,  $\phi 550$ 이상 m6 (2) 키홈 : n9 (3) H : 0, -0.5
- 적용규격 KS C 4202-2009 동일적용
- \* 는 별도 문의 바랍니다.



단위 (mm)

G	GA	HD	KK	L	LA	LB	LD	LL	M	N	P	S	T	Weight(kg)		
														2P	4P	6P
8.5	12.5	187	1-M20X1.5	216.5	10	193.5	83	88	115	95	140	10	3	4.8	5	-
11	16	204	1-M20X1.5	241.5	10	211.5	101	88	130	110	160	10	3.5	6.7	7	7.2
15.5	21.5	230	1-M20X1.5	284	12	244	112	94	165	130	200	12	3.5	11.7	12	12.5
20	27	250.5	1-M25X1.5	333	12	283	132	96	165	130	200	12	3.5	19 21	22	23
24	31	289.5	1-M20X1.5	380	13	320	139.5	96	215	180	250	15	4	-	29	36
24	31	308	2-M32X1.5	394	14	334	147	110	215	180	250	15	4	31	32	42
33	41	353	2-M32X1.5	470	14	390	172	110	265	230	300	15	4	46 49	47	65
33	41	353	2-M32X1.5	508	14	428	172	110	265	230	300	15	4	-	53	78
37	45	425	2-M40X1.5	608	15	498	256	152	300	250	350	19	5	98 109	96	110
37	45	425	2-M40X1.5	652	15	542	256	152	300	250	350	19	5	134	105	130
42.5	51.5	444.5	2-M40X1.5	688	15	578	271	152	350	300	400	19	5	158	-	-
														-	164 171	160
49	59	469	2-M40X1.5	764	15	654	271	152	350	300	400	19	5	204	-	-
														-	295	191 205
49	59	504	2-M50X1.5	771	17	661	296	190	400	350	450	19	5	249 280	-	-
				887		747	326							-	258 280	279 303
49 58	59 69	600	2-M50X1.5	855 855	20	743	299 329	188	500	450	550	19	5	334 -	388	360
49 67.5	59 79.5	638	2-M63X1.5	951 981	22	841	317 347	213.2	500	450	550	19	5	437 -	495	465
49 67.5	59 90	638	2-M63X1.5	1001 1031	22	891	317 347	213.2	500	450	550	19	5	583 -	606	603
49 76	59 90	724	2-M63X1.5	1086 1146	22	976	325.5 365.5	218	600	550	660	24	5	890 -	910	905
49 76	59 90	724	2-M63X1.5	1137 1197	22	1027	325.5 385.5	218	600	550	660	24	5	980 -	1000	1030
67.5 86	79.5 100	857	2-M63X1.5	1180 1210	22	1040	400 430	280	600	550	660	24	5	1050 -	1055	1075
67.5 86	79.5 100	857	2-M63X1.5	1290 1320	22	1150	400 430	280	600	550	660	24	5	1110 -	1128	1140

사양표